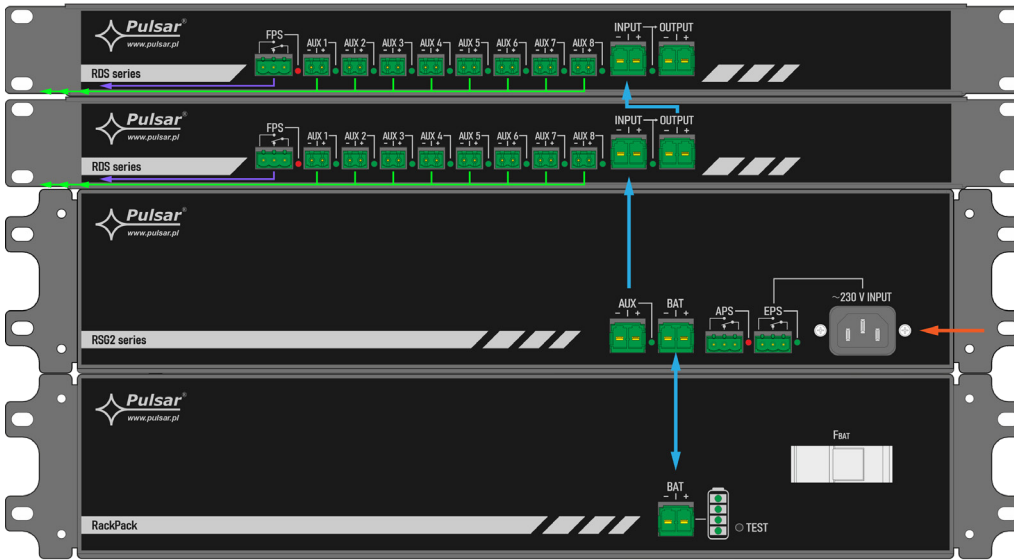


19" RACK buffer power supply system

Power supply units 13,8 / 27,6 / 54 V DC

8-output fuse module

Battery enclosures 4x 18Ah (SLA/LiFePO4)

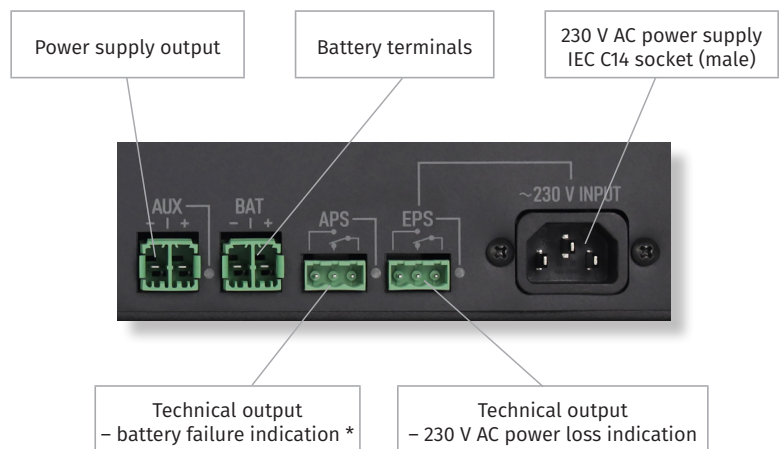


- **Fuse module – RDS – 1U**
 - 8 output (max. 20A) (cascade connection capability)
- **Power supply units with battery backup – 2U**
 - RSG2 – 13,8 / 27,6 V DC
 - RWB – 52 / 54 V DC
- **Enclosure – RackPack – 2U**
 - max. 4 x 18Ah/12V

Power supply units with battery backup 13,8 / 27,6 / 54 V DC RSG2 / RWB series



Sample product:
RSG2-24V10A



Code	Output voltage	Total output current	Battery charging current	Battery operating voltage	Technical outputs	Mounting dimensions
RSG2-12V10A	13,8 V DC	10A	1A / 4A	12 V	APS EPS	W=19" H=2U D=274mm
RSG2-12V20A		20A	2A / 4A / 8A			
RSG2-24V5A	27,6 V DC	5A	1A / 2A	24 V		
RSG2-24V10A		10A	1A / 2A / 4A			
RWB-52V2A	52 V DC	2,3A	0,5A	48 V	EPS	
RWB-48V5A	54 V DC	5A	0,5A / 1A / 2A			

* depending on model

19" RACK buffer power supply system

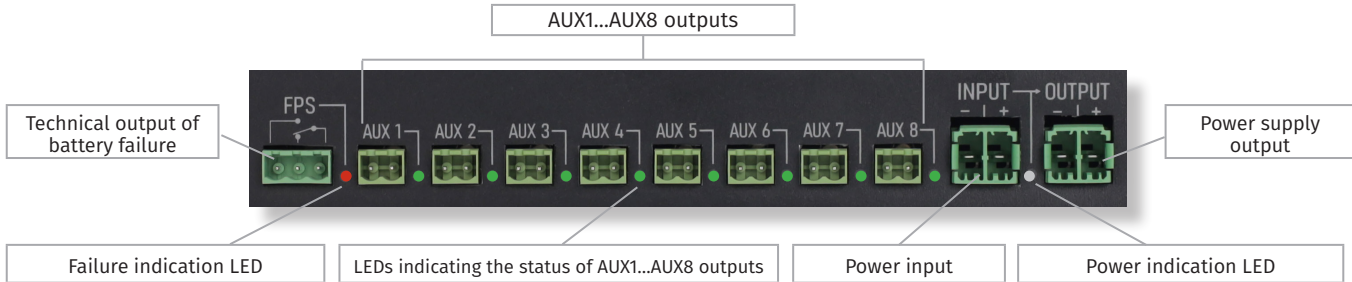
Power supply units 13,8 / 27,6 / 54 V DC

8-output fuse module

Battery enclosures 4x 18Ah (SLA/LiFePO4)

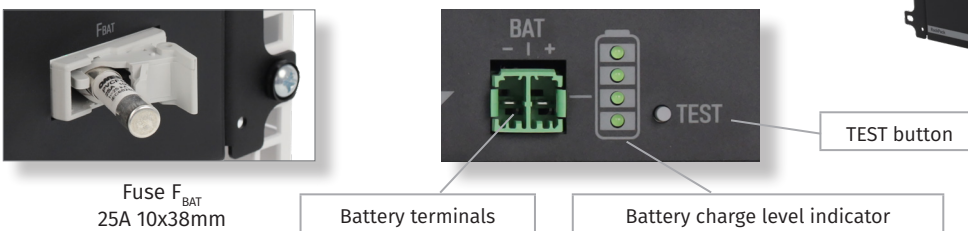
RDS - 8-output fuse strip

- universal supply voltage range: 10–60 V
- high current capacity: up to 20 A
- 8 outputs independently protected with fuses
- possibility of using fuses up to 4 A
- FPS relay technical output indicating fuse activation
- power output for connecting another module or other devices

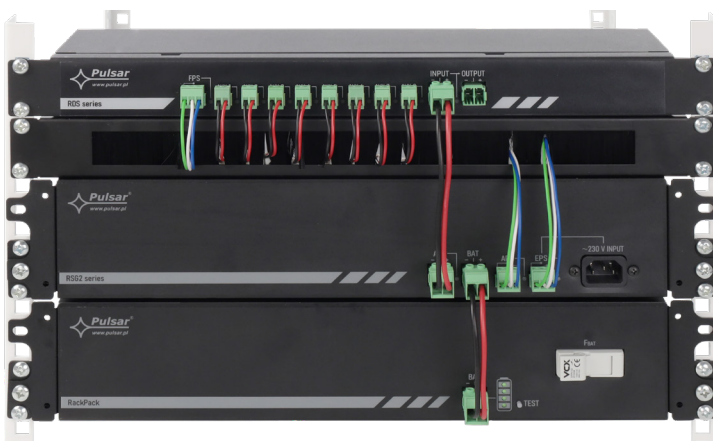


RackPack - enclosure for 4x 18Ah batteries (SLA/LiFePO4)

- possibility of installing 1–4 pcs. of 18Ah/12V SLA or 20Ah/12V LiFePO4 batteries
- high current capacity: up to 20 A
- LED charge level indicator (activated with the TEST button)
- optional mounting on ARAS...N / RASM... rails



19" RACK buffer power supply system - sample configuration



Accessories:

ARAS450N / ARAS600N
/ ARAS800N / ARAS1000N



RASM600 / RASM800
/ RASM800-120
/ RASM1000 / RASM1000-120



Additional materials
at [www](http://www.pulsar.pl):



360° product
photos



Files for
designers

CONFIRACK[®]

19" RACK and accessories
configurator

vCard

