



## MOUNTING ISTRUCTIONS v1.0

Code: **AWO000EMT**  
Name: **Casing 7/20/DSPR/EMPTY**  
Metal casing for: SSWiN, KD,....



Edition: 2 from 27.10.2023  
Supersedes edition: 1 from 28.06.2023

**IM000EMT**

**EN**

### 1. Destination:

**AWO000EMT** metal enclosure is designed as components (supplying) in intrusion alarm system, access control systems, security systems etc.

It is intended for installation:

- control panel and optionally additional modules
- access control controllers with optional modules
- radio or GSM transmitter with optional module PS
- other dedicated devices, components etc.
- assembly kit **PKAZ158**, designed for enclosure, includes: tamper switch, earthing wires, wire connector, ...
- transformers which can be mounted in enclosure: **AWT050, AWT053, AWT150, AWT468**
- tamper switch **PKAZ066** detects detachment from the wall can be mounted in enclosure

### 2. Specifications:

**Table 1. Mechanical parameters.**

<b>External dimensions of enclosure</b>	W=250, H=250, D+D <sub>1</sub> =80+8 [+/-2 mm]
<b>External dimensions of front panel</b>	W <sub>1</sub> =255, H <sub>1</sub> =255 [+/-2 mm]
<b>Recommended battery/batteries</b>	7 Ah / 12 V (SLA)
<b>Material</b>	DC01 steel plate, thickness: 0,7 mm corrosion protection, Color: RAL 9003
<b>Destination</b>	Inside
<b>Net/gross weight</b>	1,25 / 1,35 [kg]
<b>Notes</b>	Assembly kit PKAZ158, designed for enclosure, includes: tamper switch, earthing wires, wire connector, ..... Possibility of installing lock: MR008 / MR027, Possibility of mounting tamper switch PKAZ066 detects detachment from wall Possibility of mount transformer: AWT050, AWT053, AWT150, AWT468
<b>Warranty</b>	2 years

**Table 2. Operating parameters.**

<b>Protection grade EN60529</b>	IP20
<b>Operating temperature</b>	-10°C ...+40°C
<b>Storage temperature</b>	-20°C ...+60°C
<b>Relative humidity</b>	20%...90%, without condensation
<b>Sinusoidal vibrations during operation</b>	Unacceptable
<b>Impulse waves during operation</b>	
<b>Vibrations and impulse waves during transport</b>	According to PN-83/T-42106

**Table 3. Technical data of the transformers, which can be mounted in enclosure:**

Code	AWT050	AWT053	AWT150	AWT468
<b>Name</b>	TRP 20/16/18	TRP 20/12/14	TRP 40/16/18	TRZ 40/16/18
<b>Supply voltage</b>	~ 230 V; 50 Hz			
<b>Current consumption</b>	0,12 A		0,20 A	
<b>Output power</b>	20 V A		40 V A	
<b>Power supply output</b>	U1 = 16 V AC / 1,2 A or U2 = 18 V AC / 1 A	U1 = 12 V AC / 1,6 A or U2 = 14 V AC / 1,4 A	U1 = 16 V AC / 2,2 A or U2 = 18 V AC / 2 A	
<b>Fuse in supply circuit 230 V</b>	T 200 mA/250 V		T 315 mA/250 V	
<b>Overheat protection</b>	Fuse 130°C, non-returnable			
<b>Enclosure</b>	PC/ABS class UL94-V0, IP30			PC/ABS class UL94-V0, IP43

### 3. Panels which can be mounted in enclosure.

---

#### **CROW:**

Alarm control panels: RUNNER4, RUNNER8.

---

#### **DSC:**

*Power Series Neo*

Alarm control panels: HS2016, HS2016-4, HS2032, HS2064, HS2128.

Modules: HSM2300, HSM2204, HSM2208, HSM2108, PCL-422.

*Power Series*

Alarm control panels: PC1616, PC1832, PC1864.

Modules: PC5320, PC5100, PC5108, PC4216, PC5200, PC5204, PC5400, IT-100.

*Power Series Pro*

Modules: HSM3408, HSM2108, HSM3204CX, HSM3350, AMX-400.

---

#### **EBS:**

Alarm control panels: PX 202A.

---

#### **PARADOX:**

Alarm control panels: EV0192, SP65, SP4000, SP5500, SP6000, SP7000.

Modules: ZX8, ZX8SP, HUB2, PGM4.

---

#### **PYRONIX:**

Alarm control panels: MATRIX 424, MATRIX6

---

#### **RISCO:**

Modules: RP432EZ8 LightSYS ProSYS Plus, RP512EZ16 ProSYS Plus.

---

#### **ROEL:**

Alarm control panels: SIGMA6, SIGMA12, CERBER.

---

#### **SATEL:**

Alarm control panels: Integra32, 24, Versa5,10, 15 Plus, IP, Perfecta16, 32, 32 LTE -T 32, Micra, CA-10 P, CA-6 P, CA-5 P, CA-4 VP.

Modules: CA-64 PTSA, ETHM-1 Plus, ETHM-2, GSM-X, GSM-X LTE, INT-O, INT-PP, INT-R, INT-VMG, ACCO-NT, ACCO-KP-PS, ACCO-KPWG-PS.

---

#### **SUMMIT:**

Alarm control panels: PENTA.

---

#### **TELMOR:**

Alarm control panels: TCA-824, TEX800.

---

***Documentation shows which devices can be installed in a given enclosure. It does not define how many different devices can be installed in one enclosure. Number of installed devices depends on their size and arrangement.***

---

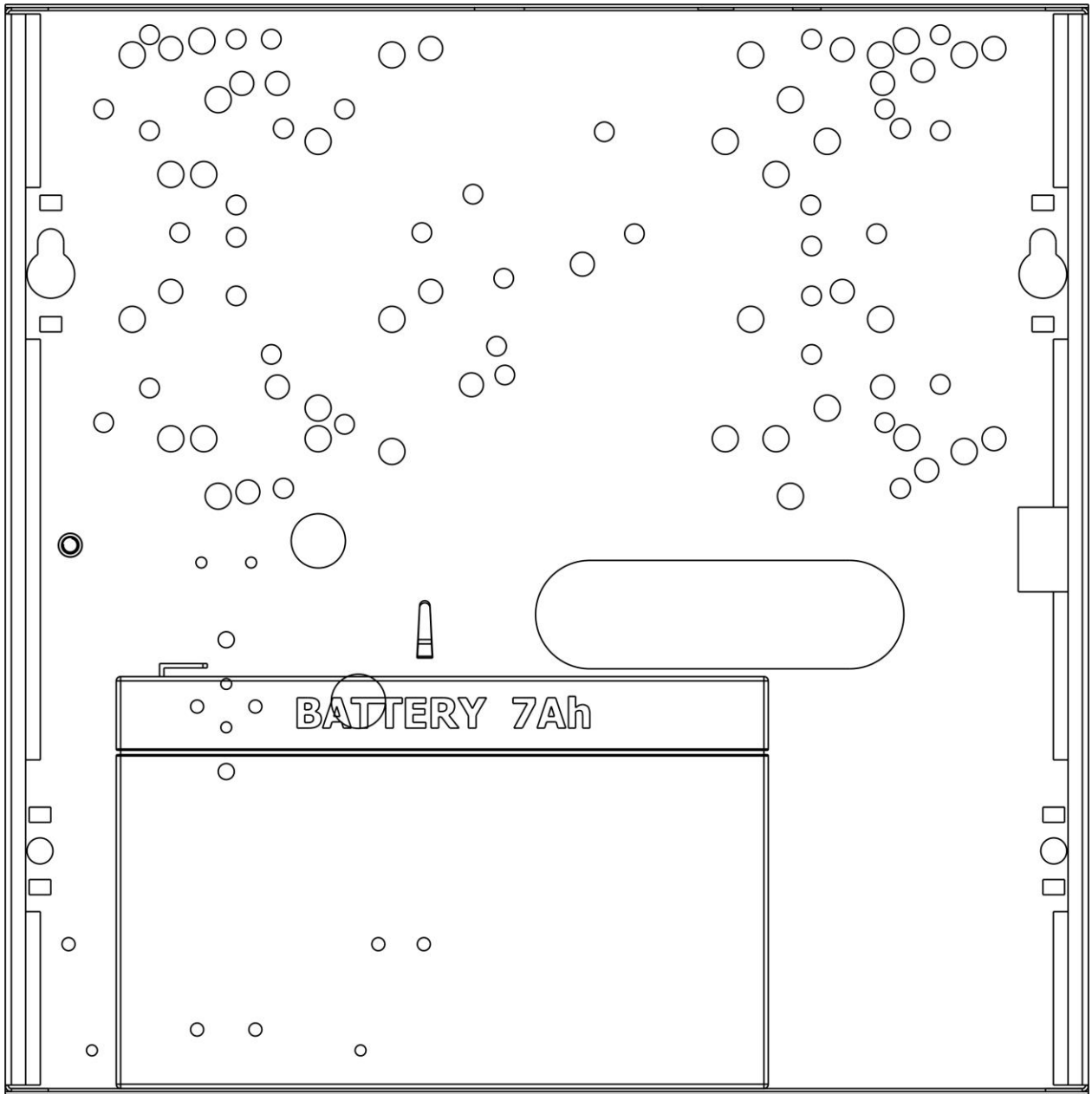


Figure 1. View of enclosure.

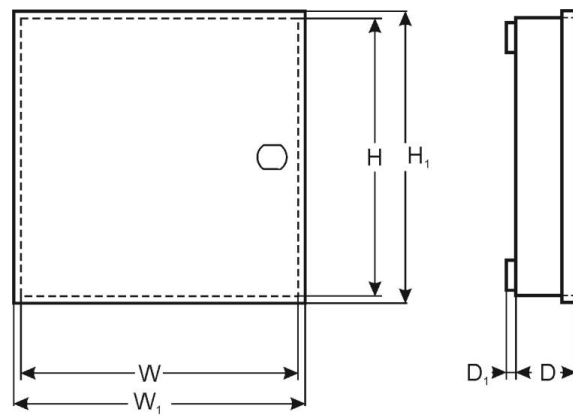


Figure 2. Dimensions.



*Device works with a lead-acid battery (SLA). After the operation period it must not be disposed of but recycled according to the applicable law.*

**Pulsar sp. j.**

Siedlec 150, 32-744 Łapczyca, Poland

Tel. (+48) 14-610-19-45

e-mail: [sales@pulsar.pl](mailto:sales@pulsar.pl)

[http:// www.pulsar.pl](http://www.pulsar.pl)

