



1. Destination:

AWO250EMT metal enclosure is designed as components (supplying) in intrusion alarm system, access control systems, security systems etc.

It is intended for installation:

- control panel and optionally additional modules
- access control controllers with optional modules
- radio or GSM transmitter with optional module PS
- other dedicated devices, components etc.
- assembly kit **PKAZ158**, designed for enclosure, includes: tamper switch, earthing wires, wire connector, ...
- transformers which can be mounted in enclosure: : **AWT500, AWT800, AWT824, AWT8161820, AWT8172430**
- tamper switch **PKAZ066** detects detachment from the wall can be mounted in enclosure

2. Specifications:

Table 1. Mechanical parameters.

External dimensions of enclosure	W=320, H=400, D+D ₁ =120+8 [+/-2 mm]
External dimensions of front panel	W ₁ =325, H ₁ =405 [+/-2 mm]
Recommended battery/batteries	7 Ah, 17 Ah / 12 V (SLA)
Material	DC01 steel plate, thickness: 0,7 mm corrosion protection, Color: RAL 9003
Destination	Inside
Net/gross weight	2, 5 / 2,7 [kg]
Notes	Assembly kit PKAZ158, designed for enclosure, includes: tamper switch, earthing wires, wire connector, Possibility of installing lock: MR008 / MR027, Possibility of mounting tamper switch PKAZ066 detects detachment from wall Possibility of mount transformer: AWT500, AWT800, AWT824, AWT8161820, AWT8172430
Warranty	2 years

Table 2. Operating parameters.

Protection grade EN60529	IP20
Operating temperature	-10°C ...+40°C
Storage temperature	-20°C ...+60°C
Relative humidity	20%...90%, without condensation
Sinusoidal vibrations during operation	Unacceptable
Impulse waves during operation	
Vibrations and impulse waves during transport	According to PN-83/T-42106

Table 3. Technical data of the transformers, which can be mounted in enclosure:

Code	AWT500	AWT800	AWT824	AWT8161820	AWT8172430
Name	TRP 50/16/18/20	TRP 80/16/18/20	TRP 80/17/24/30	TRZ 80/16/18/20	TRZ 80/17/24/30
Supply voltage	~ 230 V; 50 Hz				
Current consumption	0,25 A	0,40 A			
Output power	50 V A	80 V A			
Power supply output	U1 = 16 V AC / 3,0 A or U2 = 18 V AC / 2,8 A or U3 = 20 V AC / 2,5 A	U1 = 16 V AC / 5,0 A or U2 = 18 V AC / 4,5 A or U3 = 20 V AC / 4,0 A	U1 = 17 V AC / 4,7 A or U2 = 24 V AC / 3,3 A or U3 = 30 V AC / 2,7 A	U1 = 16 V AC / 5,0 A or U2 = 18 V AC / 4,5 A or U3 = 20 V AC / 4,0 A	U1 = 17 V AC / 4,7 A or U2 = 24 V AC / 3,3 A or U3 = 30 V AC / 2,7 A
Fuse in supply circuit 230 V	T 500mA/250 V	T 630mA/250 V			
Overheat protection	Fuse 130°C, non-returnable				
Enclosure	PC/ABS class UL94-V0, IP30			PC/ABS class UL94-V0, IP43	

3. Panels which can be mounted in enclosure.

DSC:

Power Series Neo

Alarm control panels: HS2016, HS2016-4, HS2032, HS2064, HS2128.

Modules: HSM2300, HSM2204, HSM2208, HSM2108, PCL-422.

Power Series

Alarm control panels: PC1832, PC1864.

Modules: PC5320, PC5100, PC5108, PC4216, PC5200, PC5204, PC5400, IT-100.

Power Series Pro

Alarm control panels: HS3032, HS3128, HS3248.

Modules: HSM3408, HSM2108, HSM3204CX, HSM3350, AMX-400.

Communication modules and transmitters LE2080(R)/3G2080(R), TL280LE(R)/TL2803G, 3G2060(R) / TL2603G(R), LE2080(R)E/TL280LE(R)E.

EBS:

Alarm control panels: PX 202A.

PARADOX:

Alarm control panels: SP65, SP4000, SP5500, SP6000, SP7000, EVO192.

Modules: ZX4, ZX8, ZX8SP, PGM4, HUB2.

PYRONIX:

Alarm control panels: MATRIX 424, MATRIX6, MATRIX816, MATRIX832, MATRIX832+

RISCO:

Alarm control panels: RP224M - PRO24, ProSYS PRO116/PRO128/PRO140.

Modules: RP512EZ16 ProSYS Plus, RP432EZ8 LightSYS ProSYS Plus, RP296EPS ProSYS, RP128EPS LightSYS.

ROGER:

Alarm control panels: PR402, CPR 32- SE.

SATEL:

Alarm control panels: Integra24, 32, 64, 64+, 128, 128+, 256+, Versa5,10, 15, Plus, IP, Perfecta16, 32, 32 LTE -T 32, Micra, CA-10 P, CA-6 P, CA-5 P, CA-4 VP.

Modules: CA-64 PTSA, CA-10 E, ETHM-1 Plus, ETHM-2, GSM-X, GSM-X LTE, INT-ADR, INT-AV, INT-E, INT-FI, INT-GSM, INT-KNX-2, INT-O, INT-PP, INT-R, INT-RS Plus, INT-VG, INT-VMG, MST-1, ACCO-KP-PS, ACCO-KPWG-PS.

TELMOR:

Alarm control panels: TCA-824.

Modules: TEX800, TMT-1.

TEXECOM:

Alarm control panels: PREMIER48, 88, 412, 640, 816, 832.

Modules: COM300.

Documentation shows which devices can be installed in a given enclosure. It does not define how many different devices can be installed in one enclosure. Number of installed devices depends on their size and arrangement.

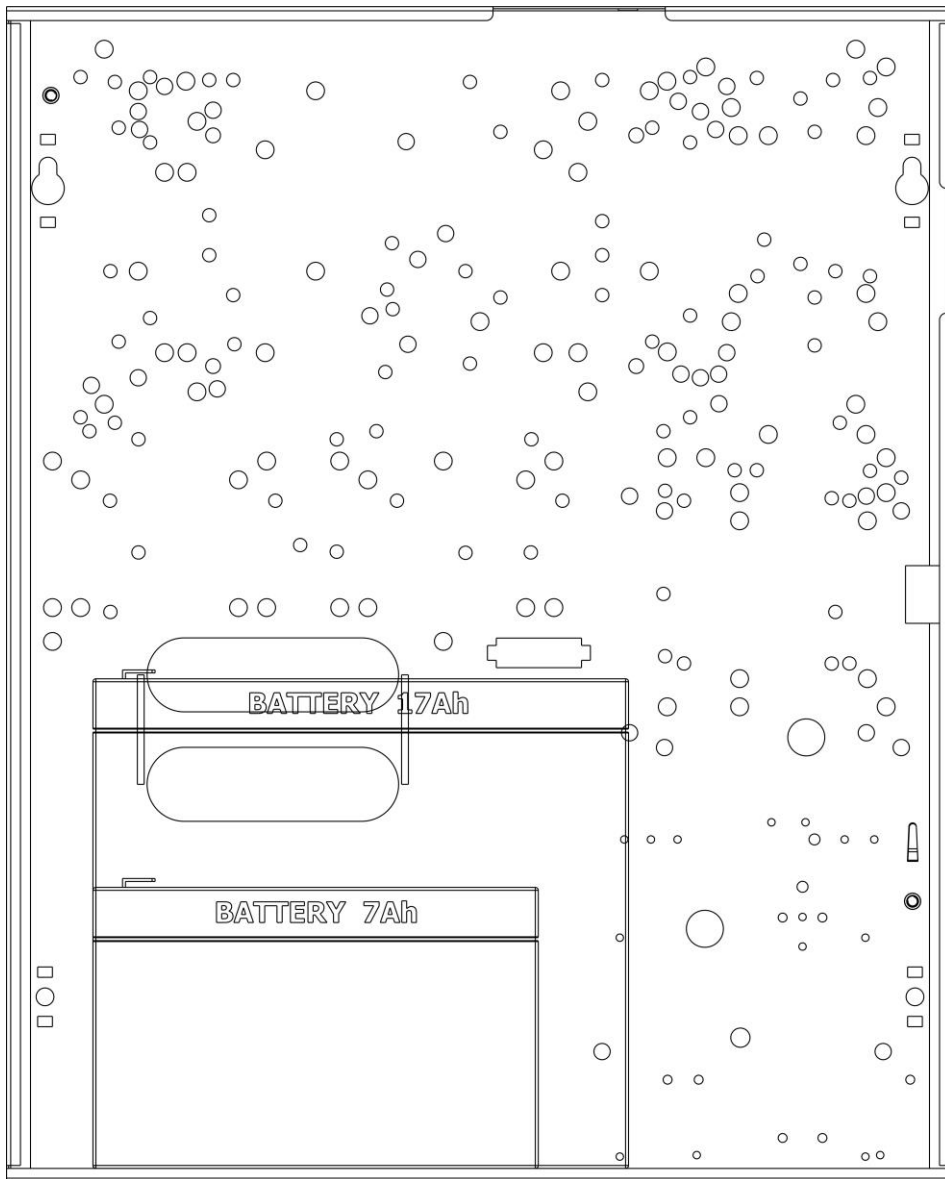


Figure 1. View of enclosure.

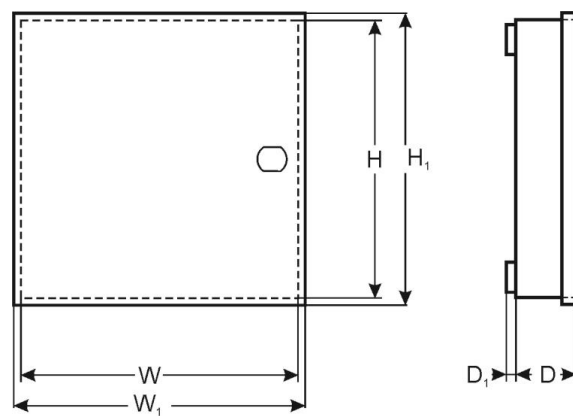


Figure 2. Dimensions.



Device works with a lead-acid battery (SLA). After the operation period it must not be disposed of but recycled according to the applicable law.

Pulsar sp. j.

Siedlec 150, 32-744 Łapczyca, Poland

Tel. (+48) 14-610-19-45

e-mail: sales@pulsar.pl

[http:// www.pulsar.pl](http://www.pulsar.pl)

