

1. Destination.

The PK2 (AWZ508) relay module is to be used in low-voltage installations. It is intended for controlling and status indication in e.g. alarm or access control systems. It may be used to control devices of high power consumption via OC outputs of alarm systems. Moreover, it ensures galvanic isolation of signals, power sources relating to the outputs of the module. It is equipped with two separate T+, T- inputs used to trip relays with high or low condition.

2. Module description.

2.1 Module elements.

1 – feeding selection jumper
2 – relays
3 – LED diode (signals relay activity)
4 – module connections

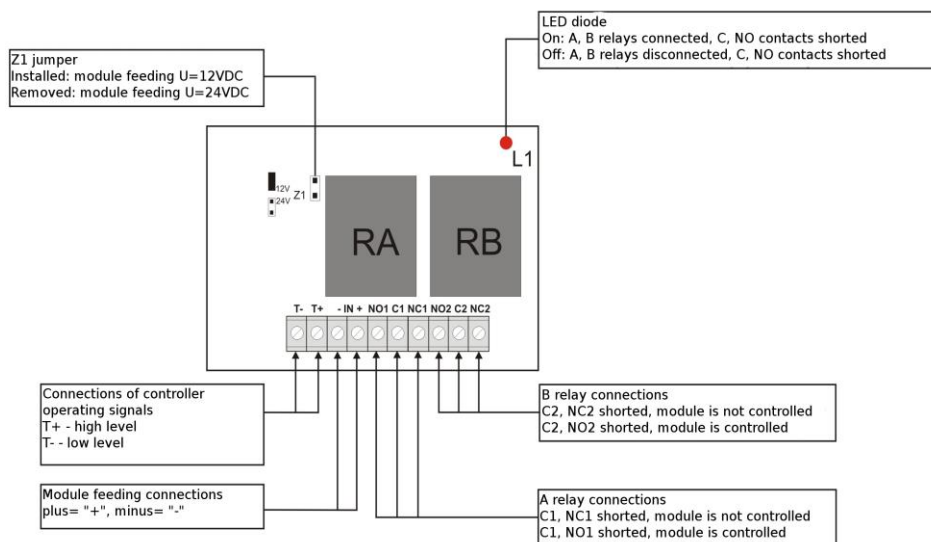
2.2 Module terminals.

T-, T+ input of voltage controlling relay activity
- IN + module supply input
C1, C2 – common relay clamp
NO1, NO2 – normally open relay clamp
NC1, NC2 – normally closed relay clamp

3. Specifications.

Voltage of relay's coil	12 V (10 V DC ÷ 15 V DC) 24 V (21 V DC ÷ 28 V DC) configuration with jumper Z1
Power consumption	75 mA max.
Number of relays	2
Voltage of relay's contacts	30 V DC / 48 V AC
Tripping voltage	T+ 5 V ÷ Unom. T- 0 V ÷ 7 V
Current of relay's contacts	2 A max.
Operating temperature	-10°C ÷ +50°C
Dimensions	L=80, W=43, H=22 [+/- 2mm]
Net/gross weight	0,05 / 0,07 [kg]
Installation	installation tape or installation bolt x 2
Declarations, warranty	CE, 2 years from production date
Notes	leads on connections: Ø 0,41÷1,63 (AWG 26-14)

4. Scheme of module connections.



WEEE Label

According to the European Union WEEE Directive, waste electrical and electronic equipment should be disposed of separately from normal household waste.

Pulsar sp. j.

Siedlec 150, 32-744 Łapczyca, Poland
Tel. (+48) 14-610-19-40, Fax. (+48) 14-610-19-50
e-mail: biuro@pulsar.pl, sales@pulsar.pl
http:// www.pulsar.pl, www.zasilacze.pl