

**1. Technical description.**

The fuse module is intended for dividing power in low-voltage alarm systems (power distribution) that require voltage within the range of: **10V ÷ 30V DC**. It contains two power inputs: a screw connector and a DC 5,5/2,1 outlet and eight power outputs AUX1 ÷ AUX8 which are independently secured with PTC 0,5A polymer fuse. An activation of the PTC fuse is indicated by an appropriate LED going out: L1 for AUX1, L2 for AUX2 etc. Additionally, each output is secured by a varistor which protects the PSU and the receivers against surges in the power circuit.

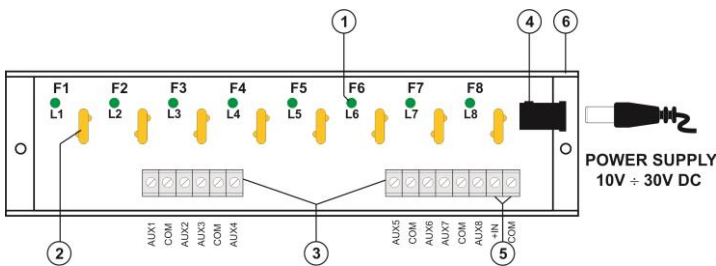


Fig.1. Drawing of the module.

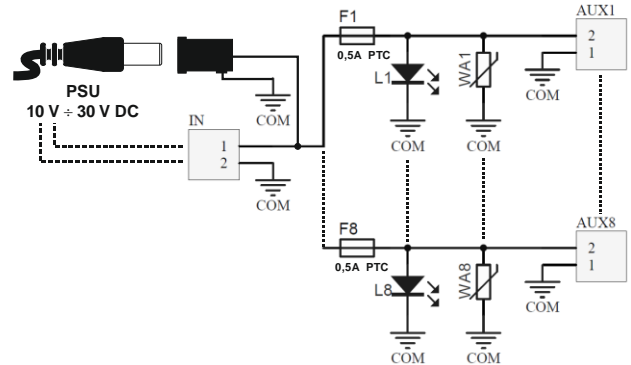


Fig.2. Electrical diagram.

**Table 1. Description of components and connectors of the PSU.**

Element no. [fig. 1]	Description
[1]	L1 ÷ L8 green LEDs
[2]	F1 ÷ F8 fuses in the AUX (+) circuits
[3]	AUX1 ÷ AUX8 independently secured outputs, common terminal COM (-)
[4]	DC 5,5/2,1 outlet – module's power input
[5]	Screw connector – module's power input
[6]	Mounting strip

\* Using power supply unit with too low current efficiency may cause (in the case of a short-circuit at one of the outputs of the module) temporary power loss at other outputs.

**Table 2. Specifications.**

<b>Supply voltage</b>	10V ÷ 30V DC
<b>Output voltage</b>	$U_{AUX} = U_{IN}$ (equal to supply voltage)
<b>Current consumption</b>	9 mA ÷ 60 mA @ $U_{IN} = 10V \div 30V$ DC
<b>Number of power inputs</b>	2: a DC 5,5/2,1 outlet or a screw connector
<b>Number of power outputs</b>	8 (AUX terminals)
<b>Protections against:</b>	
- a short circuit SCP *	- 8 x 0,5A PTC
- an overload OLP	- 8 x 0,5A PTC
- a surge	- varistors
<b>LED indication</b>	Green LEDs L1 ÷ L8 – outputs status AUX1 ÷ AUX8
<b>F1 ÷ F8 fuses</b>	8 x 0,5A PTC
<b>Operating conditions</b>	II environmental class, -10°C ÷ 50°C
<b>Dimensions</b>	L=124, W=43, H=21 (+/-2mm)
<b>Fixing</b>	a mounting tape or dowel pins x2 (holes Ø3mm)
<b>Connectors:</b>	
- of power output	- screw connectors $\Phi 0,41 \div 1,63$ (AWG 26-14)
- of power input	- a DC 5,5/2,1 outlet or a screw connector $\Phi 0,41 \div 1,63$ (AWG 26-14)
<b>Net/gross weight</b>	0,05kg / 0,07kg
<b>Declarations, warranty</b>	CE, 2 year from the production date

**WEEE MARKING**

According to the EU WEE Directive – It is required not to dispose of electric or electronic waste as unsorted municipal waste and to collect such WEEE separately.

**Pulsar**

Siedlec 150, 32-744 Łapczyca, Polska  
Tel. (+48) 14-610-19-40, Fax. (+48) 14-610-19-50  
e-mail: [biuro@pulsar.pl](mailto:biuro@pulsar.pl), [sales@pulsar.pl](mailto:sales@pulsar.pl)  
http:// [www.pulsar.pl](http://www.pulsar.pl), [www.zasilacze.pl](http://www.zasilacze.pl)