

1. Technical description.

The MP1E (AWZ612) relay module is to be used in low-voltage installations. It is intended for controlling and status indication in e.g. alarm or access control systems. It may be used to control devices of high power consumption via OC outputs of alarm systems. Moreover, it ensures galvanic isolation of signals, power sources relating to the outputs of the module.

2. Module description.

2.1 Description of components and connectors of the PSU.

Element no. [fig. 1]	Opis
[1]	+IN- module's power input
[2]	Relay contacts: COM – common relay clamp NO - normally open relay clamp NC - normally closed relay clamp
[3]	LED optical indication: L1 (red) ON: COM contacts, closed NO , OFF: COM contacts, closed NC .

3. Specifications

Voltage of the relay's coil	12 V (10 V DC ÷ 14 V DC)
Power consumption	25 mA max.
Number of relays	1
Voltage of the relay's contacts	30 V DC / 48 V AC
Current of the relay's contacts	1 A max.
Operating temperature	-10°C ÷ +50°C
Dimensions	L=40, W=43, H=20 [mm, +/-2]
Net/gross weight	0,02 / 0,04 [kg]
Installation	Installation tape or installation bolt x 2
Declarations, warranty	CE, 2 year from the production date
Notes	leads on connections: Ø 0,41 ÷ 1,63 (AWG 26-14), 0,2 ÷ 1mm ²

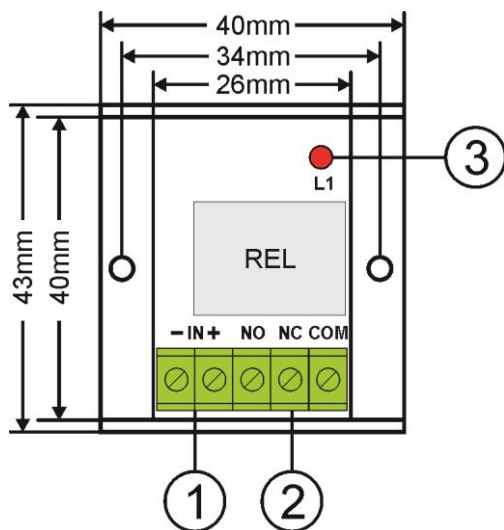


Fig.1. Drawing of the module.

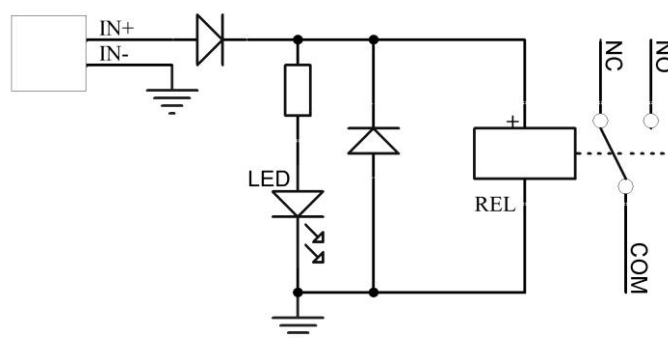


Fig.2. Electrical diagram.

WEEE Label

According to the European Union WEEE Directive, waste electrical and electronic equipment should be disposed of separately from normal household waste.

Pulsar sp. j.

Siedlec 150, 32-744 Łapczyca, Poland
Tel. (+48) 14-610-19-40, Fax. (+48) 14-610-19-50
e-mail: biuro@pulsar.pl, sales@pulsar.pl
http:// www.pulsar.pl, www.zasilacze.pl