

1. Intended use.

The P1 (AWZ622) relay module is to be used in low-voltage installations. It is intended for controlling and status indication in e.g. alarm or access control systems. It may be used to control devices of high power consumption via OC outputs of alarm systems. Moreover, it ensures galvanic isolation of signals, power sources relating to the outputs of the module.

2. Description of the module.

2.1 Description of components and connectors of the module.

| Element no. [fig. 1] | Description |
|----------------------|--|
| [1] | +IN- module's power input |
| [2] | Relay contacts: COM - inputs of the voltage that control the relay NO - normally open relay's contact NC - normally closed relay's contact |

3. Specifications

| | |
|--|---|
| Supply voltage module | 12 V (10 V DC ÷ 14 V DC) |
| Current consumption | 20 mA max. |
| Number of relays | 1 |
| Voltage of the relay's contacts | 30 V DC / 48 V AC |
| Current of the relay's contacts | 1 A max. |
| Operating temperature | -10°C ÷ +50°C |
| Dimensions | L=30, W=27, H=18 [mm, +/-2] |
| Net/gross weight | 0,02 / 0,03 [kg] |
| Installation | installation tape |
| Declarations, warranty | CE, 2 years from production date |
| Notes | leads on connections: Ø 0,41÷1,63 (AWG 26-14), 0,2÷1mm ² |

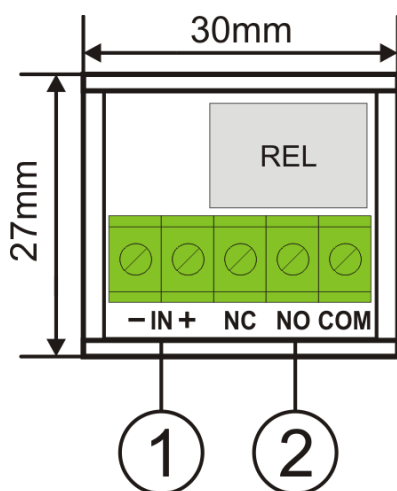


Fig.1. Drawing of the module.

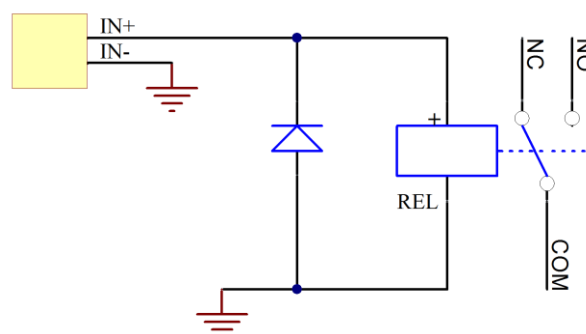


Fig.2. Electrical diagram.

WEEE Label

According to the European Union WEEE Directive, waste electrical and electronic equipment should be disposed of separately from normal household waste.

Pulsar sp. j.

Siedlec 150, 32-744 Łapczyca, Poland
Tel. (+48) 14-610-19-40, Fax. (+48) 14-610-19-50
e-mail: biuro@pulsar.pl, sales@pulsar.pl
http:// www.pulsar.pl, www.zasilacze.pl