

1. Intended use.

The MP-2/24V (AWZ624) relay module is to be used in low-voltage installations. It is intended for controlling and status indication in e.g. alarm or access control systems. It may be used to control devices of high power consumption via OC outputs of alarm systems. Moreover, it ensures galvanic isolation of signals, power sources relating to the outputs of the module.

2. Installation.

The module is equipped with a plastic panel with self-adhesive tape that enables fixing it to a flat surface (side panel of an enclosure, a buffer PSU, etc.) and holes for bolting the panel to the mounting surface.

3. Description of the module.

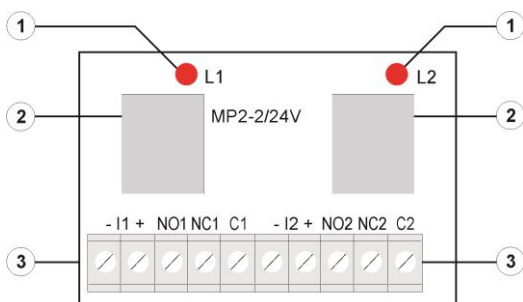
3.1 Components.

1 – LED (indicates relay's operations)
2 – relay
3 – module terminals

3.2 Connectors.

-I+ inputs of the voltage that control the relay
C1, C2 – common terminal of the relay
NO1, NO2 – normally open relay's contact
NC1, NC2 – normally closed relay's contact

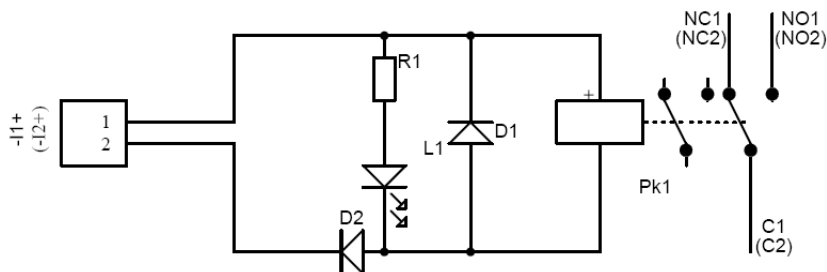
4. Specifications.



Voltage of the relay's coil	20 ÷ 28 V DC (-/+5%),
Current of the relay's coil	18 mA @ 24 V DC
Number of relays	2
Voltage of the relay's contacts	30 V DC / 48 V AC
Current of the relay's contacts	2 A max.
Contacts of relay	C/NC/NO (leads Φ 2.05 mm: AWG 24-12)
ON/OFF time	15ms/8ms (-/+5%)
Operating temperature	-10°C ÷ +40°C
Enclosure	open-frame design, IP00
Dimensions	L=70, W=43, H=22 [mm, +/-2]
Net/gross weight	0,04 / 0,06 [kg]
Installation	installation tape or installation bolt x 2
Declaration, warranty	CE, 2 years from production date
Notes	leads on connections: \varnothing 0,41 ÷ 1,63 (AWG 26-14), \varnothing 0,51 ÷ 2,05 (AWG 24-12) - relay contacts

Fig. 1. General view of the module.

5. Electrical diagram.



WEEE Label

According to the European Union WEEE Directive, waste electrical and electronic equipment should be disposed of separately from normal household waste.

Pulsar sp. j.

Siedlec 150, 32-744 Łapczyca, Poland
Tel. (+48) 14-610-19-40, Fax. (+48) 14-610-19-50
e-mail: biuro@pulsar.pl, sales@pulsar.pl
http:// www.pulsar.pl, www.zasilacze.pl