



RoHS



IP30



Edition: 3 from 24.10.2022

Supersedes edition: 2 from 07.05.2021

**EN**

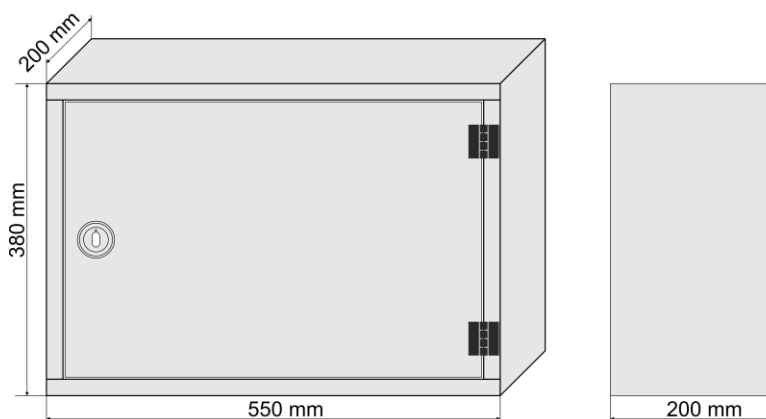
## 1. Destination.

**DSOS24VPU** metal housing is designed for installation of BOSCH call stations in PAVIRO and PRAESENSA series voice alarm systems (DSOs). Possibility of mount two call station extenders Paviro or three call station extenders PRAESENSA together with voice alarm call center. Set with housing includes mounting brackets, which, depending on the version of station, can be attached to a mounting shelf inside housing.

Enclosure is made of sheet with a thickness of 1 mm, colour red (RAL3001).

Compatible stations:

- PAVIRO; PVA-15CST + 2x PVA-20CSE
- PRAESENSA; PRA-CSLW + 3x PRA-CSE



## 2. Installation.

1. Mount enclosure to wall in selected location using special metal expansion plugs. Do not use PVC plugs.
2. Connect appropriate cables to call station.
3. Mount mounting brackets to call station paying attention to their correct position in relation to right „P” and left „L” sides.
4. Close enclosure once tests and operation control is completed.

## 3. Specifications.

Enclosure: IP	<b>IP30</b>
Destination	<b>inside</b>
Operation temperature	<b>-10°C ÷ +40°C</b>
Dimensions (W x H x D)	<b>550 x 380 x 200 [-/+2] [mm]</b>
Closing	<b>lock for fire ax</b>
Net weight	<b>~9.1 [kg]</b>
Gross weight	<b>~9.8 [kg]</b>
Material	<b>DC01 steel plate, thickness 1.0 mm Corrosion protection Color: red (RAL 3001)</b>
Notes	<b>Warranty: 2 years from production date CE declaration Set includes mounting kits: PAVIRO and PRAESENSA</b>

### [The warranty conditions](#)

The warranty conditions can be found at: [www.pulsar.pl](http://www.pulsar.pl)  
[SEE](#)

### **Pulsar sp. j.**

Siedlec 150, 32-744 Łapczyca, Polska  
Tel. (+48) 14-610-19-40, Fax. (+48) 14-610-19-50  
e-mail: [biuro@pulsar.pl](mailto:biuro@pulsar.pl), [sales@pulsar.pl](mailto:sales@pulsar.pl)  
http:// [www.pulsar.pl](http://www.pulsar.pl), [www.zasilacze.pl](http://www.zasilacze.pl)