



PSDC161212T

v.1.1

PSDC 12V/12A/16x0,8A/TOPIC
Power supply for up to 16 HD cameras.

EN

Edition: 6 from 19.10.2017

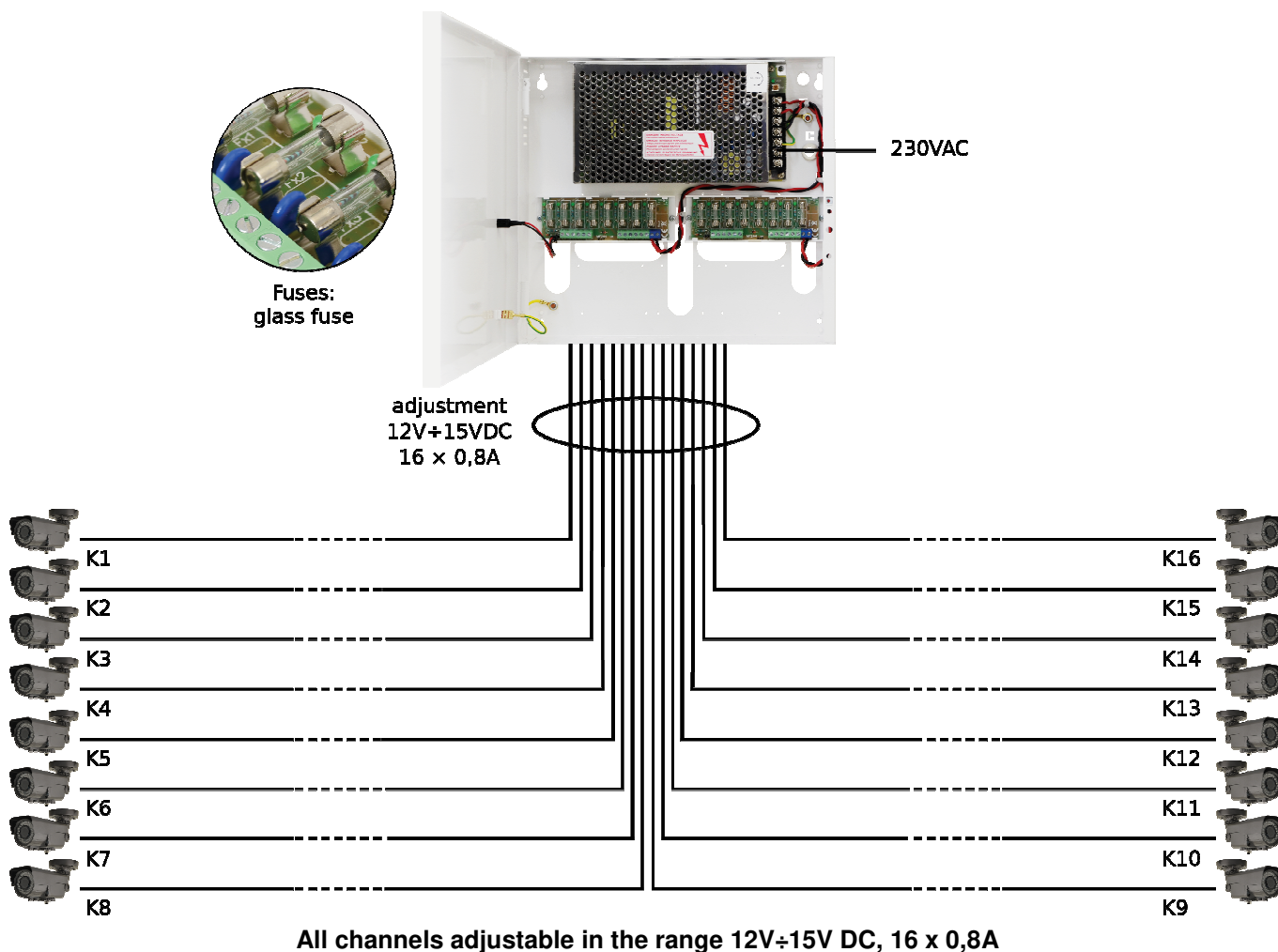
Supersedes the edition: 5 from 24.04.2017



Features:

- the 16x0,8A/12V DC power output for powering 16 HD cameras
- output voltage adjustment 12V÷15V DC
- 16 outputs protected with 0,8A fuses
- wide range of supply voltage 176÷264V AC
- high efficiency 83%
- LED indication
- protections:
 - SCP short-circuit protection
 - OVP over voltage protection
 - surge protection
 - OLP overload protection
- warranty – 2 year from the production date

Example of power supply of up to 16 HD cameras.



CONTENTS:

1. Technical description.
 - 1.1 General description
 - 1.2 Block diagram
 - 1.3 Description of PSU components and connectors
 - 1.4 Specifications
2. Installation.
 - 2.1 Requirements
 - 2.2 Installation procedure
3. Operating status indication.
 - 3.1 LED indication
4. Operation and use.
 - 4.1 Overload or short circuit at the PSU output
 - 4.2 Activation of the OVP system of the PSU
 - 4.3 Maintenance

1. Technical description.

1.1 General description.

The **PSDC161212T** stabilized power supply is designed to supply HD cameras or other devices requiring stabilized voltage of **12V DC**. The output voltage adjustment range is adjusted via a potentiometer within the range of **12V±15V DC**. The PSU features 16 outputs protected independently by glass fuses. A failure (a short circuit) in the output circuit makes a fuse blow or an activation of the fuse and disconnection of the circuit from the DC power supply (+U). The PSU is housed in a metallic enclosure with an indication panel.

1.2. Block diagram (fig.1).

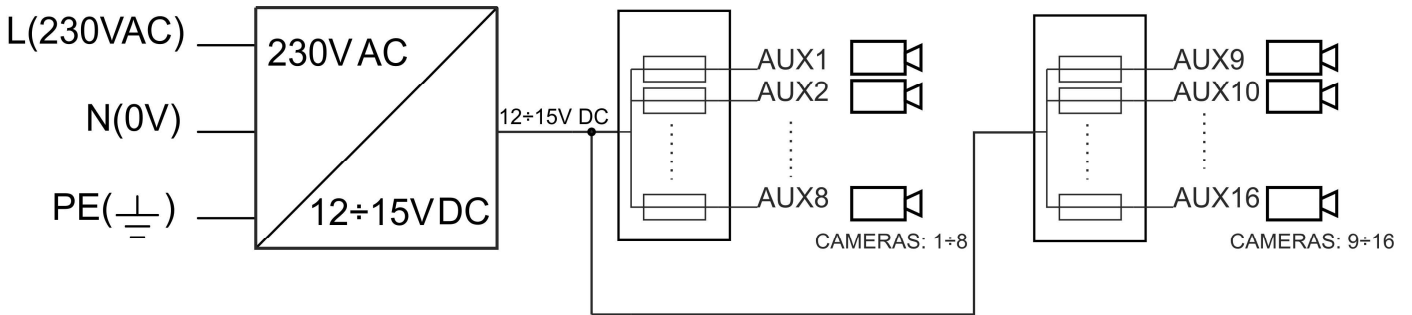


Fig.1. Block diagram of the PSU.

1.3. Description of PSU components and connectors.

Table 1. Elements of the PSU PCB (see fig. 2).

Element no.	Description
[1]	L1...L8 (green) LEDs (indicating fuse activation)
[2]	F1...F8 glass fuses in AUX (+) circuits
[3]	IN supply input of the LB8 strip
[4]	AUX1...AUX8 outputs, COM (-) shared terminal

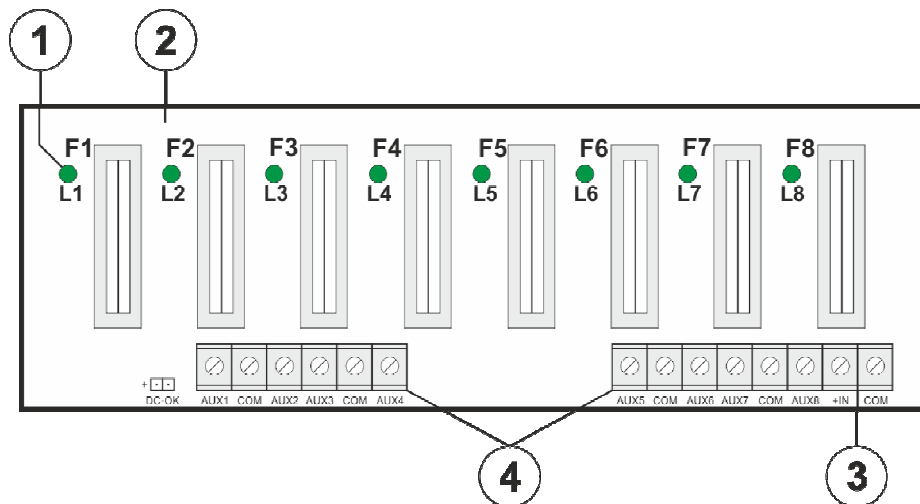


Fig.2. The view of the PSU's PCB.

Table 2. Elements of the PSU (see fig. 3).

Element no.	Description
[1]	L-N 230V AC power connectors, PE protection connector
[2]	PSU module
[3]	V _{ADJ} , potentiometer, output voltage adjustment within the range of 12V±15V DC
[4]	LED indication of DC power status, main module of the PSU
[5]	LB8/A fuse strip, with power outputs and LED indication
[6]	LB8/B fuse strip, with power outputs and LED indication

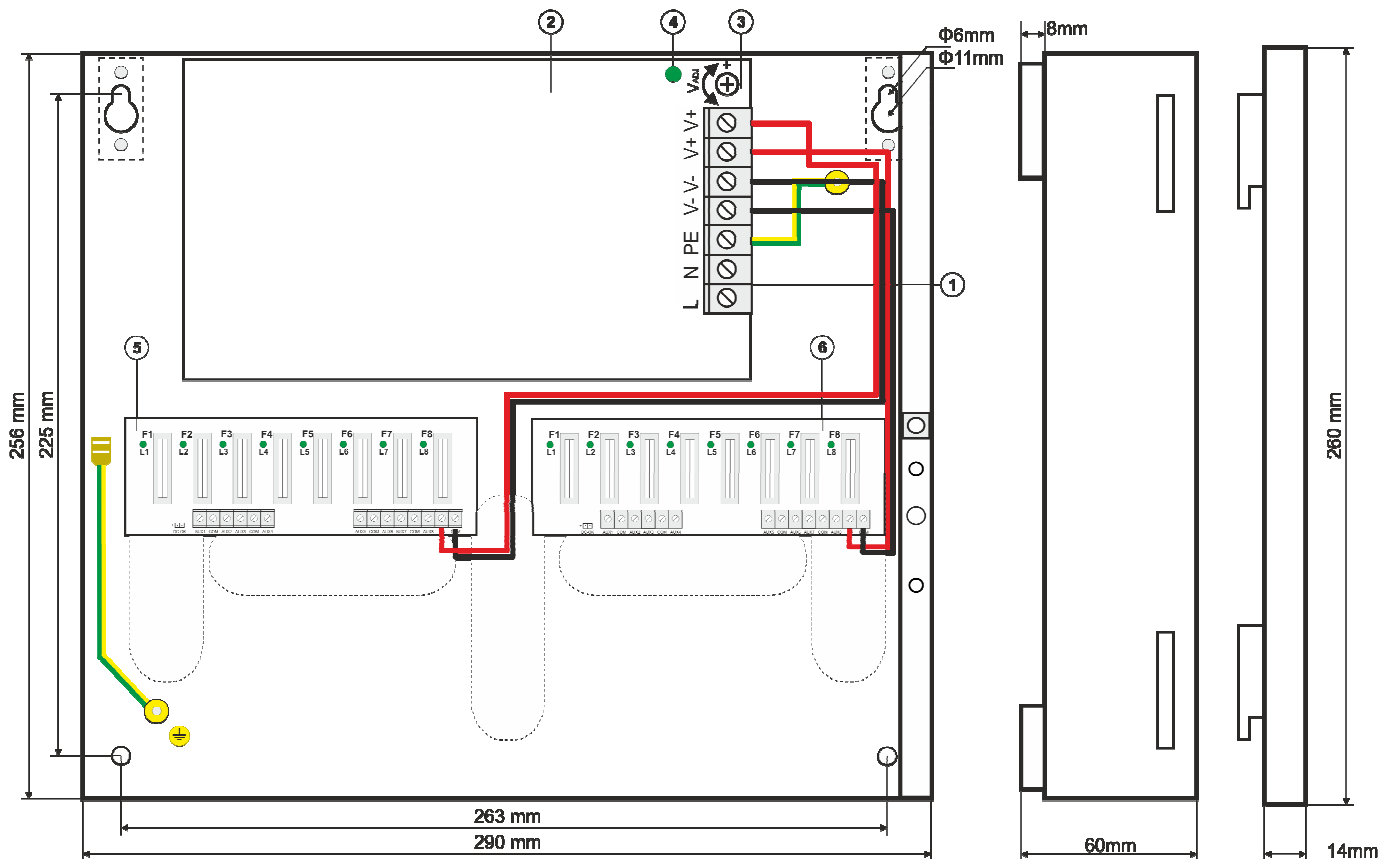
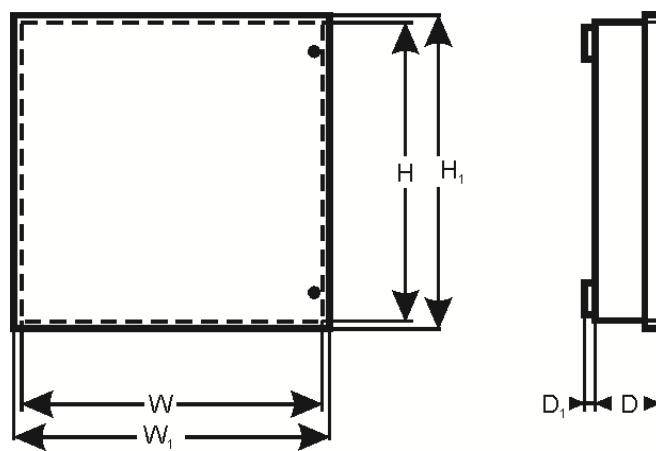


Fig.3. The view of the PSU.

1.4. Specifications:

- electrical specifications (tab.3)
- mechanical specifications (tab.4)
- operation safety (tab.5)
- operating specifications (tab.6)



Electrical specifications (tab. 3).

Supply voltage	176 ÷ 264V AC
Current consumption	1,1A @230VAC max.
PSU power	150Wmax.
Efficiency	83%
Output voltage	12V DC
Output current	16x 0,8A ($\Sigma I = 12A$) max. @12V
Output voltage adjustment range	12V ÷ 15V DC
Ripple voltage	100mV p-p max.
Short-circuit protection SCP	LB8 STRIP (A, B) 16x F 0,8A fuse PSU MODULE 105% ÷ 150% of PSU power, electronic current limiting
Overload protection OLP	105% ÷ 150% of PSU power, electronic current limiting
Surge protection	varistors
Overvoltage protection OVP	>16V (activation requires disconnecting the load or supply for about 20 s.)
F1 ÷ F8 fuses LB8/A, LB8/B	F 0,8A/250V

Mechanical specifications (tab. 4).

Dimensions	W=290, H=256, D+D ₁ =52+8 [+/- 2 mm] W ₁ =294, H ₁ =260 [+/- 2 mm]
Fixing	See figure 3
Net/gross weight	2,0/2,2 kg
Enclosure	Steel plate, DC01 0,7mm colour: RAL 9003
Closing	Cheese-head screw: at the front
Connectors	Power supply: 230V AC: Φ 0,63-2,05 (AWG 22-12) AUX outputs: Φ 0,51- 2,05 (AWG 24-12) LB8 (A, B): Φ 0,51- 2,05 (AWG 24-12)
Notes	The enclosure does not adjoin the assembly surface so that cables can be led. Convexional cooling.

Operation safety (tab.5).

Protection class PN-EN 60950-1:2007	I (first)
Protection grade PN-EN 60529: 2002 (U)	IP20
Electrical strength of insulation: - between input (network) circuit and output circuits of the PSU (I/P-O/P) - between input circuit and PE protection circuit (I/P-FG) - between output circuit and PE protection circuit (O/P-FG)	3000V/AC min. 1500V/AC min. 500V/AC min.
Insulation resistance: - between input circuit and output or protection circuit	100 M Ω , 500V/DC

Operating specifications (tab.6).

Operating temperature	-10°C...+40°C
Storage temperature	-25°C...+60°C
Relative humidity	20%...90%, without condensation
Vibrations during operation	unacceptable
Impulse waves during operation	unacceptable
Direct insolation	unacceptable
Vibrations and impulse waves during transport	PN-83/T-42106

2. Installation.**2.1 Requirements.**


The stabilized PSU is to be mounted by a qualified installer, holding relevant permits and licenses (applicable and required for a given country) for 230V/AC interference and low-voltage installations. The unit should be mounted in confined spaces, in accordance with the 2nd environmental class, with normal relative humidity (RH=90% maximum, without condensation) and temperature from -10°C to +40°C. The PSU shall work in a vertical position that guarantees sufficient convexional air-flow through ventilating holes of the enclosure.




During normal operation the total current consumption of the receivers cannot exceed I=12A

As the PSU module is designed for a continuous operation and is not equipped with a power-switch, therefore an appropriate overload protection shall be guaranteed in the power supply circuit. Moreover, the user shall be informed about the method of unplugging (most frequently through separating and assigning an appropriate fuse in the fuse-box). The electrical system shall follow valid standards and regulations.

2.2 Installation procedure.

- 1. Before installation, make sure that the voltage in the 230V power-supply circuit is cut off.**
- Mount the PSU in a selected location and connect the wires.
- Connect the power cables (~230VAC) to L-N terminals of the PSU. Connect the ground wire to the terminal marked by the earth symbol. Use a three-core cable (with a yellow and green PE protection wire ) to make the connection. Lead the cables to the appropriate terminals of the connection board through the bushing.



The shock protection circuit shall be performed with a particular care, i.e. the yellow and green wire coat of the power cable shall stick to one side of the terminal marked with the , earth symbol in the PSU enclosure. Operation of the power supply without a properly made and fully operational shock protection circuit is UNACCEPTABLE! It can result in device damage or an electric shock.

4. Connect the receivers' cables to the **AUX1...AUX8** connectors on the **LB8 (A, B) strips**.
5. In electrical installations with significant voltage drops in the resistance of the wires that lead to the receivers, the voltage value can be corrected with the P1 potentiometer (12V÷15V DC).
6. Check the PSU operating status indication
7. Once the installation and operation control have been completed, the enclosure can be locked.

3. Operating status indication.

The PSU is equipped with LED indication of operation status. The presence of power at the outputs of the PSU is indicated by the illumination of green LEDs on the front panel of the device.

3.1. LED indication

- **LED1...LED8 LB8-A** and **LED1...LED8 LB8-B** green diodes indicate power at the outputs: LB8-A AUX1...AUX8, LB8-B AUX1...AUX8.
In case of a power loss at the output (fuse activation), an appropriate diode goes out. (L1 for AUX1, L2 for AUX2 etc.)

4. Operation and use.

4.1 Overload or short circuit at the PSU output.

The AUX1 ÷ AUX8 PSU outputs of the LB8 (A, B) strips are protected against a short circuit by glass fuses. If a fuse-assisted protection has been chosen, replace the fuse (of the same parameters) in case of a failure.

4.2. Activation of the OVP system of the PSU.

When the OVP system is activated, the output voltage is automatically cut off. Restart is possible after disconnecting the PSU from the mains supply 230V for at least 20 seconds.

4.3. Maintenance.

Any and all maintenance operations may be performed following the disconnection of the PSU from the power supply network. The PSU does not require performing any specific maintenance measures. However, in case of significant dust level, clean its interior with compressed air. In case of a fuse exchange, use the replacement of the same parameters.



WEEE MARKING

According to the EU WEE Directive – It is required not to dispose of electric or electronic waste as unsorted municipal waste and to collect such WEEE separately.

Pulsar

Siedlec 150, 32-744 Łapczyca, Poland
Tel. (+48) 14-610-19-40, Fax. (+48) 14-610-19-50
e-mail: biuro@pulsar.pl, sales@pulsar.pl
http:// www.pulsar.pl, www.zasilacze.pl