

DESTINATION

RACK 19" cabinet enables integrating CCTV, AC, I&HAS, RTV, LAN, or other systems in small companies or households. It is intended for devices manufactured in enclosures of 19" standard. Due to RACK cabinets, devices are aesthetically mounted and protected against mechanical damage.

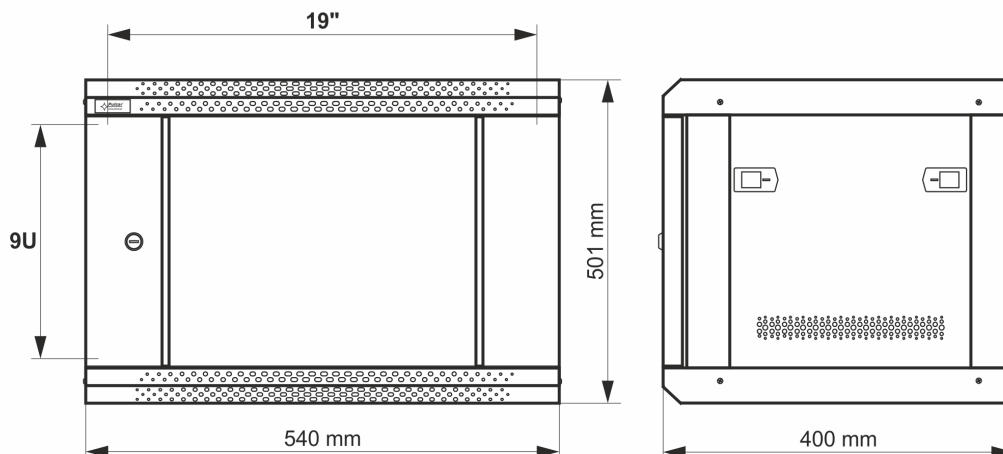
TECHNICAL DATA

Mechanical parameters:

Mounting dimensions:	19" x 9U
Dimensions:	540 x 501 x 400 [mm, +/-2]
Material:	cold-rolled steel SPCC, 0.6mm, 1mm, RAL7035 (grey), metallic RACK mounting rails - 1,0mm front door - 0,6mm / 4mm toughened glass
Static load:	30 [kg]
Closing:	front door - lock (RAZ-G1, same code) side panel - Click
Destination:	indoor
Weight:	9.1 / 10.3 [kg]
Type Cabinets:	wall mounted fully assembled
Notes:	adjustable distance between front and rear RACK rails ventilation hole in the top panel (1 x 105x105mm - installation dimensions) cable ducts in the top and bottom panel (175x58mm) changeable door - right or left
Warranty:	2 years
Declaration:	CE

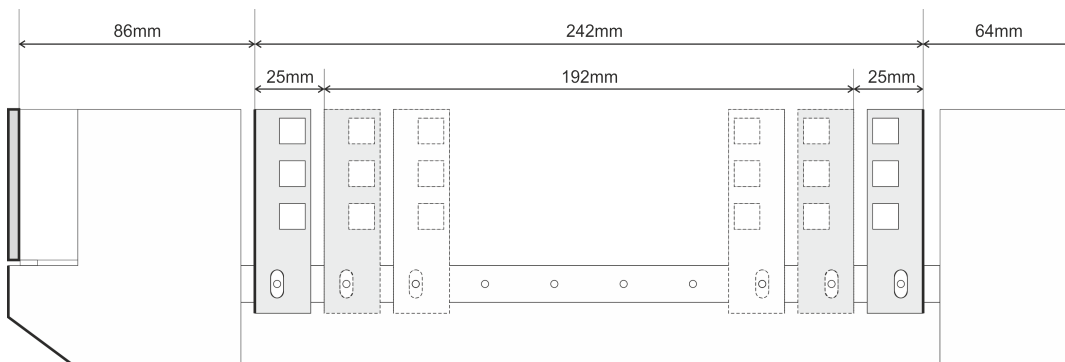
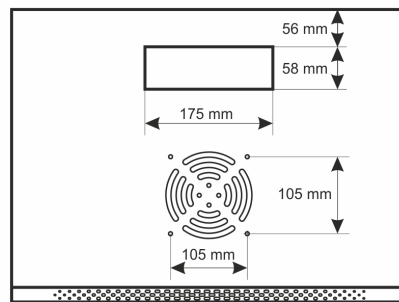
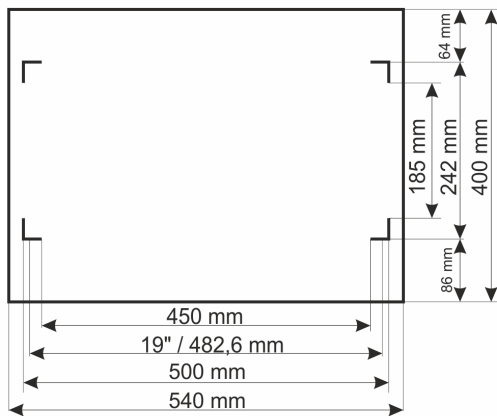
Operating parameters:

Protection grade EN60529:	IP 20
Operating conditions:	-10°C ... +40°C
Storage temperature:	-20°C ... +60°C
Relative humidity:	20% ... 90% , without condensation
Sinusoidal vibrations during operation:	unacceptable
Impulse waves during operation:	unacceptable
Direct insolation:	unacceptable
Vibrations and impulse waves during transport:	PN-83/T-42106



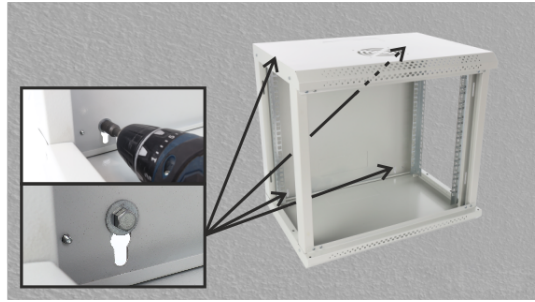
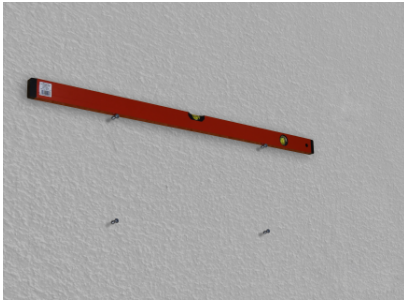
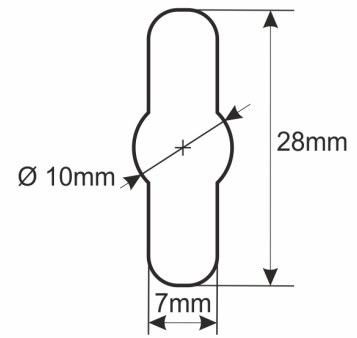
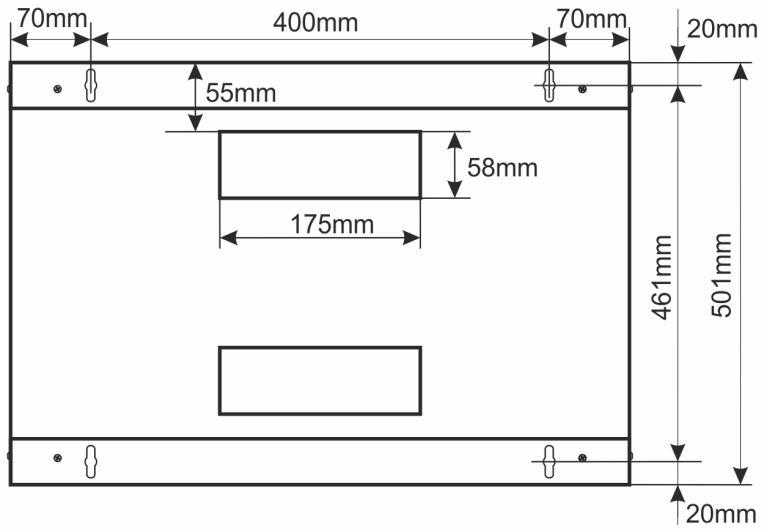


Note - The distance of the RACK profiles can be adjusted stepwise forward and backward, according to the diagram below.



Mounting the RACK Cabinet

Choose the appropriate mounting dowels depending on the type of surface.



Pulsar sp. j.
Siedlec 150, 32-744 Lapczyca, Poland
Tel. +48-14-610-19-45
www.pulsar.pl
e-mail: sales@pulsar.pl

