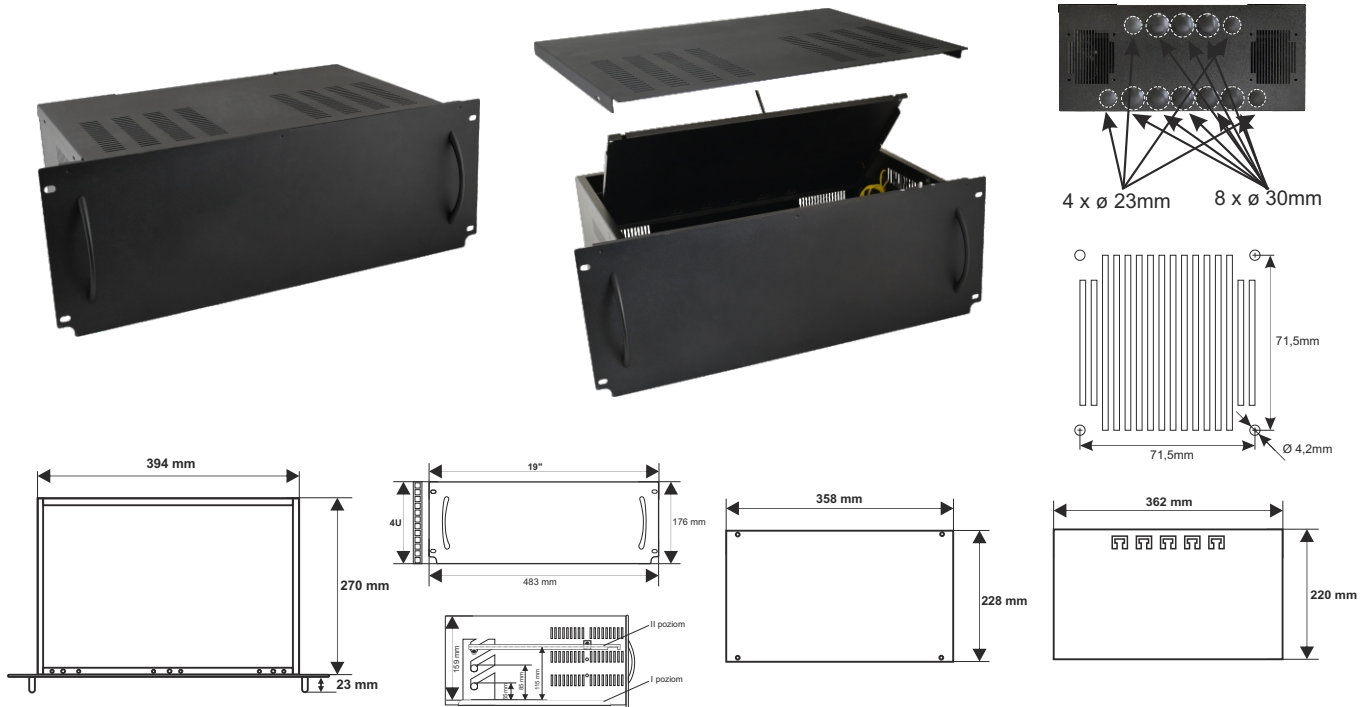


CODE: **ARAD4S v.1.1/II**
 NAME: **RACK 4U/270mm universal enclosure for RACK 19" two-level cabinets**

EN



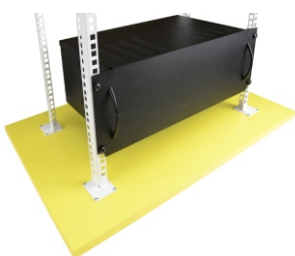
DESTINATION

Due to its design, the ARAD4S enclosure is intended for mounting inside RACK 19" cabinets. This general-purpose enclosure may serve as an auxiliary element for integrating CCTV, AC, I&HAS, RTV, LAN systems in RACK 19" cabinets. It is intended for mounting alarm control panels, AC controllers, power supply units, batteries, etc.

TECHNICAL DATA

Mounting dimensions:	W=19", H=4U
Internal dimensions:	W=390, H=159, D=265 [mm, +/-2]
Fitting battery:	17Ah/12V
Net/gross weight:	5,82 / 6,42 [kg]
Materials:	sheet metal DC01, 1,0mm thick + front panel thickness: 1,5mm, RAL9005 black
Tampering protection:	tamper – opening of enclosure
Static load:	- with the ARAS450 rails - 30kg - without the ARAS450 rails - 5kg
Destination:	inside, IP20
Notes:	- four-point fixing to front RACK rails - 4 M6 screws with cage nuts included - enclosure is equipped with a hinged mounting plate (first level) - enclosure is equipped with a hinged mounting plate (second level) - for mounting with the ARAS450 rails - fully extendable enclosure
Declarations, warranty :	CE, 2 years from production date

**Mounting without the ARAS450 rails
to 5kg**



**Mounting with the ARAS450 rails
to 30kg**

