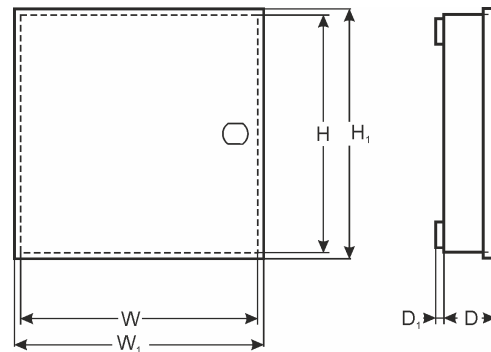


CODE: **AWO005 v1.4/II**  
 NAME: **7/TRP20/SATEL**



## DESTINATION

**SATEL:** CA4-V1, CA-5, CA-6, VERSA 5,10, INTEGRA 24

**MODULES:** CA-64 (PP, EPS, ADR, O-R, O- ROC, O-OC, OPS-OC, OPS-R, OPS-ROC, VMG-16, SR, PTSA, ACC-KP-PS)

## TECHNICAL DATA

<b>External dimensions of the enclosure:</b>	W=250, H=250, D+D1=80+8 [+/-2 mm]
<b>External dimensions of the front panel:</b>	W1=255, H1=255 [+/-2 mm]
<b>Weight net/gross:</b>	1,95kg / 2,10kg [+/-0,1kg]
<b>Battery space:</b>	7Ah/12V Sealed Lead Acid (SLA)
<b>Transformer:</b>	TRP 20VA/16V/18V in the case of PC/ABC in class UL94-V0, IP30
<b>Power supply:</b>	230V/AC (-15%/+10%), 50Hz, 120mA (max.)
<b>Power supply output:</b>	U1=16V/AC or U2=18V/AC (-5%, +15%), I1=1,2A or I2=1,0A (max.)
<b>Operating environment:</b>	class II , -10°C+ 40°C
<b>Material description:</b>	sheet steel DC01, thickness: 0,7mm, protection anticorrosion, color: RAL 9003
<b>Destination:</b>	indoor
<b>Tamper protection:</b>	1 x microswitch: opening, 0,5A@50V/DC max. NC
<b>Closing:</b>	screwed x 4
<b>Notes:</b>	optional: lockable, distance from wall (mounting surface) - 8mm, easy door removal
<b>Declaration, warranty:</b>	CE, 2 year from the production date