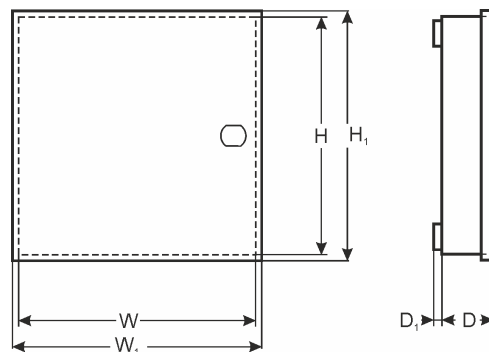


CODE: AWO203 v1.6/II
NAME: 17/TRP40/RISCO



APPLICATION

RISCO:

- 1) PRO24, PROSYS116, 128, 140 + 2x EZ16 (E04, EZ8) + RP200VC + EPS 1,5AAPS
- 2) EPS 1,5AAPS + 3x EZ16 (E04, EZ8) + RP200VC
- 3) NSLA- RKN + EPS 1,5AAPS

ROEL:

- 1) SIGMA 6,12

SPECIFICATIONS

| | |
|---|--|
| External dimensions of the enclosure: | W=350, H=400, D+D1=90+8 [±2 mm] |
| External dimensions of the front panel: | W1=355, H1=405 [±2 mm] |
| Weight net/gross: | 3,70kg / 3,90kg [±0,1kg] |
| Battery space: | 17Ah/12V Sealed Lead Acid (SLA) |
| Transformer: | TRP 40VA/16V/18V in the case of PC/ABC in class UL94-V0, IP30 |
| Power supply: | 230V/AC (-15%/+10%), 50Hz, 200mA (max.) |
| Power supply output: | U1=16V/AC or U2=18V/AC (-5%, +15%), I1=2,2A or I2=2,0A (max.) |
| Operating environment: | class II, -10°C+ 40°C |
| Material description: | sheet steel DC01, thickness: 0,7mm, protection anticorrosion, color: RAL 9003 |
| Destination: | indoor |
| Tamper protection: | 1 x microswitch: opening, 0,5A@50V/DC max. NC- contacts |
| Closing: | screwed x 4 |
| Notes: | optional: lockable, distance from wall (mounting surface) - 8mm, easy door removal |
| Declaration, warranty: | CE, 2 year from the production date |