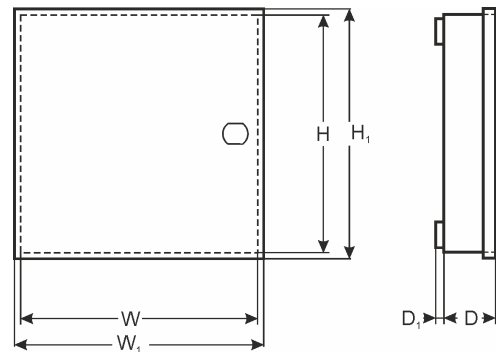


CODE: **AWO232PU** v1.1/II  
 NAME: **7/40/PAR/L/EMPTY**



### DESTINATION

**PARADOX**  
 CENTROL PANELS:

**7Ah:**

- 1) (728 ULT, E55, E65, SP4000, 5500, 6000, 7000, EV048, 192, MG5000, 5050, PS17, ACM12) + 2x ZX8 (4xZX4, APR3- ADM2, APR3-HUB2, PGM4)

**17Ah:**

- 1) (728 ULT, E55, E65, SP4000, 5500, 6000, 7000, EV048, 192, MG5000, 5050, PS17, ACM12) + ZX4

### TECHNICAL DATA

<b>External dimensions of the enclosure:</b>	W=320, H=305, D+D1=90+8 [+/-2 mm]
<b>External dimensions of the front panel:</b>	W1=325, H1=310 [+/-2 mm]
<b>Weight net/gross:</b>	1,95kg / 2,15kg [+/-0,1kg]
<b>Battery space:</b>	17Ah/12V Sealed Lead Acid (SLA)
<b>Transformer:</b>	without transformer- can be mounted in the casing: TRP20,TRP40,TRZ20,TRZ40,EI20,EI40
<b>Operating environment:</b>	class II, -10°C+ 40°C
<b>Material description:</b>	sheet steel DC01, thickness: 0,7mm, protection anticorrosion, color: RAL 9003
<b>Destination:</b>	indoor
<b>Tamper protection:</b>	1 x microswitch: opening, 0,5A@50V/DC max. NC- contacts
<b>Closing:</b>	screwed x 4
<b>Notes:</b>	optional: lockable, distance from wall (mounting sourface) - 8mm, easy door removal, <b>customized enclosure: minimum order quantity 100pcs.</b>
<b>Declaration, warranty:</b>	RoHS, 2 year from the production date