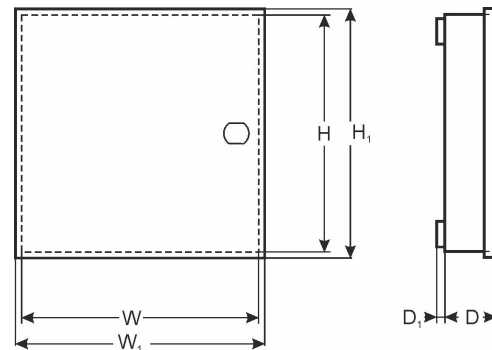


CODE: **AWO261 v1.0/I**
 NAME: **Casing 28/TRP80/SATEL**



DESTINATION

SATEL:

Centrale / Panels	+	Moduly / Modules
Ca-6 P, Ca-10 P, VERSA5, 10, 15, INTEGRA 24, 32	+	8x Ca10E / CA-64 PTSA,
Ca-6 P, Ca-10 P, VERSA5, 10, 15, INTEGRA 24, 32	+	8x INT-E / INT-ADR / GPRS-T1, T2, T4 / INT-VG / INT-AV / ISDN-SEP / INT-KNX-2 / INT-FI / INT-RS Plus
Ca-6 P, Ca-10 P, VERSA5, 10, 15, INTEGRA 24, 32	+	4x INT-PP / INT-O / ETHM-1 Plus / INT-VMG / INT-R / ACC-KP-PS
INTEGRA 64, 128, 256	+	6x Ca10E / CA-64 PTSA,
INTEGRA 64, 128, 256	+	6x INT-E / INT-ADR / GPRS-T1, T2, T4 / INT-VG / INT-AV / ISDN-SEP / INT-KNX-2 / INT-FI / INT-RS Plus
INTEGRA 64, 128, 256	+	4x INT-PP / INT-O / ETHM-1 Plus / INT-VMG / INT-R / ACC-KP-PS

TECHNICAL DATA

External dimensions of the enclosure:	W=425, H=450, D+D1=145+8 [±2 mm]
External dimensions of the front panel:	W1=430, H1=455 [±2 mm]
Weight net/gross:	7,85kg/ 8,50kg [±0,1kg]
Battery space:	28Ah/12V Sealed Lead Acid (SLA)
Transformer:	TRP 80VA/16V/18V/20V in the case of PC/ABS V-0, IP30
Power supply	230V/AC (-15%/+10%), 50Hz, 630mA (max.)
Power supply output:	U1=16V/AC or U2=18V/AC or U3=20V/AC(-5%,+15%), I1=5,0A or I2=4,5A or I3=4A (max.)
Operating environment:	class II, -10°C÷ 40°C
Material description:	sheet steel DC01, thickness: 0,7mm, protection anticorrosion, color: RAL 9003
Destination:	indoor
Tamper protection:	1 x microswitch: opening, 0,5A@50V/DC max. NC
Closing:	screwed x 4
Notes:	lock assembly possible MR008 (different code) and MR027 (same code), distance from wall (mounting surface) - 8mm
Declaration, warranty:	CE, 2 year from the production date