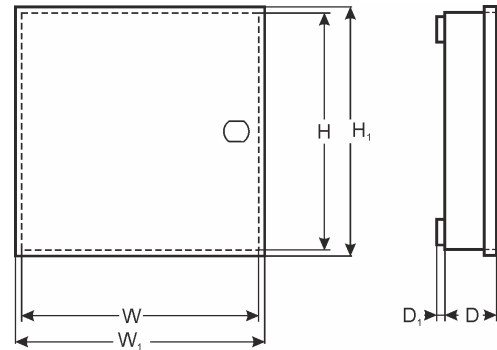


CODE: **AWO305 v.1.1/III**
 NAME: **INTEGRATOR**



DESTINATION

1. SATEL: INTEGRA / VERSA

1A.

INTEGRA 128/64/32 x 1 or VERSA15/10 x 1 (+AWT5161820 x 1 + 17Ah x 1)
 CA-64 EPS / CA-64 PP x1 (+AWT150 /AWT468 x 1 + 17Ah x 1)
 CA-64 E x 16
 ZB-2 x 3
 AWZ520 x3

1B.

INTEGRA 128/64/32 x 1 or VERSA15/10 x 1 (+AWT5161820 x 1 + 17Ah x 1)
 CA-64 EPS / CA-64 PP x2 (+AWT150 /AWT468 x 2 + 17Ah x 2)
 CA-64 E x 14
 ZB-2 x 3
 AWZ520 x3

1C.

INTEGRA 128/64/32 x 1 or VERSA15/10 x 1 (+AWT5161820 x 1 + 17Ah x 1)
 CA-64 EPS / CA-64 PP x 3 (+TRZ50 x3, + 17Ah x 3)
 CA-64 E x 12
 ZB-2 x 3
 AWZ520 x3

1D.

INTEGRA 128/64/32 x 1 or VERSA15/10 x 1 (+AWT5161820 x 1 + 17Ah x 1)
 CA-64 EPS / CA-64 PP x 3 (+AWT150 /AWT468 x3, + 17Ah x 3)
 CA-64 E x 10
 GSM LT-2S/1S
 ZB-2 x 3
 AWZ520 x3

1E.

INTEGRA 128/64/32 x 1 or VERSA15/10 x 1 (+AWT5161820 x 1 + 17Ah x 1)
 CA-64 EPS / CA-64 PP x 3 (+AWT150 /AWT468 x3, + 17Ah x 3)
 CA-64 E x 8
 GSM LT-1S/2S x1
 INT-RS / INT-FI x 1
 ZB-2 x 3
 AWZ520 x3

1F. mounting plate (additionally for all above configurations)

CA-64 E x 8 or
CA-64 E x 7 + ZB-2 x1 or
CA-64 E x 6 + (AWZ520 x1)

NOTES:

Compatible modules (mounting holes)

CA-64 E = CA-64 SM = GPRS-T1 = GPRS-T2 = MDM56 BO = ISDN-SEP = INT-RS *= INT-FI*

* = terminals / connections

CA-64 EPS* = CA-64 ADR* = CA-64 O-OC = CA-64 O-ROC = CA-64 O-R = VMG-16 = ETHM-1 = CA-64 SR =
= CA- 64 DR = VIVER**

* = required transformer 40VA/18V np. AWT150, AWT468 and battery

** = terminals / connections

GSM LT-1S = GSM LT-2S = ACCO-KP

2. DSC: PC 4020

2A.

PC 4020 x 1 (+AWT8161820 x 1 + 17Ah x 1)
PC 4204CX x 2 (+AWT5161820 x 2 + 17Ah x 2)
PC 4108 x 16
AWZ520 x2

2B.

PC 4020 x 1 (+AWT8161820 x 1 + 17Ah x 1)
PC 4204CX x 3 (+AWT5161820 x 3 + 17Ah x 3)
PC 4108 x 12
AWZ520 x2

2C.

PC 4020 x 1 (+AWT8161820x 1 + 17Ah x 1)
PC 4204CX x 2 (+AWT5161820 x 2 + 17Ah x 2)
PC 4216 x1
PC 4108 x 14
AWZ520 x2

2D. mounting plate (additionally for all above configurations)

PC 4108 x 8 or
PC 4108 x 6 + (AWZ520 x1)
PC 4108 x 4 + PC 4216 x 1 + (AWZ520 x1)

NOTES:

Compatible modules (mounting holes)

PC 4216 = PC 4401

PC 6010

2E.

PC 6010 x 1 (+AWT8161820 x 1 + 17Ah x 1)
PC 6204 x 2 (+AWT5161820 x 2 + 17Ah x 2)
PC 6108 x 16
AWZ534/AWZ51/AWZ532 x2 or AWZ520 x2

2F.

PC 6010 x 1 (+AWT8161820 x 1 + 17Ah x 1)
PC 6204 x 3 (+AWT5161820 x 3 + 17Ah x 3))
PC 6108 x 12
AWZ520 x2

2G.

PC 6010 x 1 (+AWT8161820 x 1 + 17Ah x 1)
PC 6204 x 2 (+AWT5161820 x 3 + 17Ah x 3)
PC 6216 x 1
PC 6108 x 14
AWZ520 x2

2H. mounting plate (additionally for all above configurations)

PC 6108 x 8 or
PC 6108 x 6 + (WZ520 x1)
PC 6108 x 4 + PC 6216 x 1 + (AWZ520 x1)

NOTES:

Compatible modules (mounting holes)

PC 6216 = PC 6400

3. RISCO PROSYS

3A.

PROSYS 116/140/128 x 1 (+AWT150/AWT468 x 1 + 17Ah x 1)
RP128EPS000A x 3 (+AWT8161820 x 3 + 17Ah x 3)
RP296EZ8/ RP296EZ16 x 9
AWZ520 x1

3B.

PROSYS 116/140/128 x 1 (+AWT150/AWT468 x 1 + 17Ah x 1)
RP128EPS000A x 2 (+AWT8161820 x 2 + 17Ah x 2)
RP296EZ8/ RP296EZ16 x 10
AWZ520 x1

3C.
PROSYS 116/140/128 x 1 (+AWT150/AWT468 x 1 + 17Ah x 1)
RP296EPS x 3 (+AWT150/AWT468 x 3 + 17Ah x 3)
RP296EZ8/ RP296EZ16 x 9
AWZ520 x1

3D.
PROSYS 116/140/128 x 1 (+AWT150/AWT468 x 1 + 17Ah x 1)
RP128EPS000A x 3 (+AWT250/AWT868 x 3 + 17Ah x 3)
RP296EZ8/ RP296EZ16 x 6
AWZ520 x4

3E.
PROSYS 116/140/128 x 1 (+AWT150/AWT468 x 1 + 17Ah x 1)
RP296EPS x 3 (+AWT150/AWT468 x 3 + 17Ah x 3)
RP296EZ8/ RP296EZ16 x 6
AWZ520 x4

3F. mounting plate (additionally for all above configurations)

RP296EZ8/ RP296EZ16 x 4 or
RP296EZ8/ RP296EZ16 x 3 + (AWZ520 x1)

NOTES:

Compatible modules (mounting holes)
RP296EZ8= RP296EO4

4. PARADOX DIGIPLEX

4A.
EVO48/EVO192 x 1 (+AWT150/AWT468 x 1 + 17Ah x 1)
PS17 x 3 (+AWT150/AWT468 x 3 + 17Ah x 3)
ZX4/ZX8 x 9
AWZ520 x4

4B.
EVO48/EVO192 x 1 (+AWT150/AWT468 x 1 + 17Ah x 1)
PS17 x 2 (+AWT150/AWT468 x 2 + 17Ah x 2)
ZX4/ZX8 x 12
AWZ520 x3

4C.
EVO48/EVO192 x 1 (+AWT150/AWT468 x 1 + 17Ah x 1)
PS17 x 2 (+AWT150/AWT468 x 2 + 17Ah x 2)
LSN4 x1
ZX4/ZX8 x 9
AWZ520 x3

4D. mounting plate (additionally for all above configurations)

ZX4/ZX8 x 6 or
ZX4/ZX8 x 4 + (AWZ520 x1)

NOTES:

Compatible modules (mounting holes)
ZX8 = HUB2= PRT3=PGM4*
* = terminals / connections

5. PULSAR BUFFER POWER SUPPLIES

5A.
MSRK3012 x 4 (+AWT8161820 x 4 + 17Ah x 4)

5B.
MSRK2012 x 4 (+AWT5161820 x 4 + 17Ah x 4)

NOTES:

Compatible modules (mounting holes)
MSRK2012 = MSR2012 = MS2012
* = terminals / connections

TECHNICAL DATA

External dimensions of the enclosure:	W=835, H=550, D+D1=170+8 [+/-2 mm]
External dimensions of the front panel:	W1=840, H1=555 [+/-2 mm]
Weight net/gross:	14,20 / 14,80 [kg]
Battery space:	17Ah/12V Sealed Lead Acid (SLA)
AC/AC power supplies:	transformer which can be mounted in the casing: TRP 40VA-80VA or TRZ 40VA-80VA
Operating environment:	class II, -10°C+ 40°C
Material description:	Sheet steel DC01, Thickness: 0,7mm, Protection anticorrosion, Color: RAL9003
Destination:	indoor
Tamper protection:	2 x microswitch: opening or removal from wall, 0,5A@30V/DC max. NC NC/NO contacts
Closing:	screwed x 2
Notes:	optional: lockable, distance from wall (mounting surface) - 8mm
Declaration, warranty:	CE, 2 year from the production date