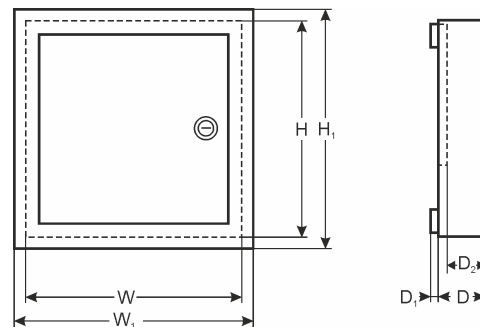


CODE: **AWO505PU v.1.0/III**  
 NAME: **7/40/S-F/PUSTA**



## DESTINATION

**DSC:** (PC 1404, 1616, 1832, 1864,4020)+ 5108 (4108, 5208, 5100, 4116)

**MODULES:** 3x (4108, 5108, 5208, 5100, 4116)  
 1x (4204, 4216, 4580, 5400, 5204, 5580, 5200)

**PARADOX:** (728ULT, E55, E65, SP4000, SP5500, SP6000, SP7000, EVO48, EVO192) + ZX8 (ZX4, PGM4)

**MODULES:** 2x (ZX8, ZX4, APR3- HUB2, PGM4)  
 1x (APR3- ADM2)

**RISCO:** PRO24 + EZ16 (E04, EZ8)

PRO116, 128, 140

**MODULES:** 2x EZ16 (E04, EZ8)

**SATEL:** CA4V1, CA5, CA6

(VERSA5,10, 15, CA10)+ CA10E (CA64E, SM, MST1)

(INTEGRA24, 32)+ CA64E, (SM)

**MODULES:** CA64 (PP, EPS, ADR, O-R, O-ROC, O-OC,OPS- OC, OPS- R, OPS- ROC, VGM- 16, SR, PTSA) + CA64E (SM)

**PYRONIX:** MATRIX 424, 6, 816, 832, 832+

**CROW:** RUNNER 4,8

**TELMOR:** TCA- 824

**ROEL:** SIGMA 6,12, CERBER

**ROGER:** PR402, CPR 32- SE

**EBS:** PX 202A

**PULSAR:** MS1012, MSR1012, MSRK1012

MS2012, MSR2012, MSRK2012

## TECHNICAL DATA

**External dimensions of the enclosure:** W=280, H=290, D=80 [+/- 2mm]

**External dimensions of the flange:** W<sub>1</sub>=335, H<sub>1</sub>=335 [+/- 2mm]

**Working depth:** D<sub>2</sub>=80 [+/-2 mm]

**Weight net/gross:** 1,93kg / 2,28kg [+/-0,1kg]

**Battery space:** 7Ah/12V Sealed Lead Acid (SLA)

**Material description:** sheet steel DC01, thickness: 0,7mm, protection anticorrosion, color: RAL 9003

**Destination:** indoor

**Tamper protection:** 1 x microswitch: opening, 0,5A@50V/DC max. NC-normally closed contacts

**Closing:** lockable (various code, two keys included)

**Notes:** flush type casing, removable masking frame and door,  
 additional back entry holes for cables

**Declaration, warranty:** CE, 2 year from the production date