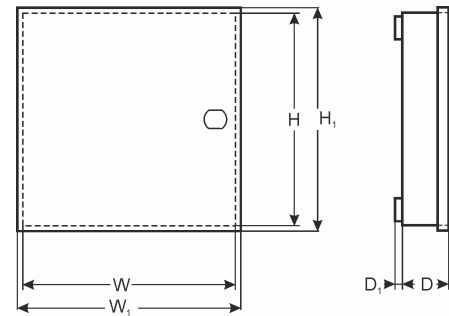


CODE: **AWO512** v1.0/I  
 NAME: **Enclosure 7/TRP40/BOSCH B-SERIES**



## DESTINATION

The **AWO512** metal casings are designed as components (supplying) in intruders alarms, access control systems, security systems etc. There are intended for installation:

- control panel optional with supplementary modules
- access control controllers with optional modules

Panels which can be mounted in the casing

- B5512, B6512

Modules:

- B208, B308, B901

## TECHNICAL DATA

External dimensions of the enclosure:	W=280, H=320, D+D <sub>1</sub> =100+8 [±2 mm]
External dimensions of the front panel:	W <sub>1</sub> =285, H <sub>1</sub> =325 [±2 mm]
Weight net/gross:	2,05kg / 2,25kg [±0,1kg]
Space for battery:	7 Ah; 12 V
Transformer:	TRP 40/16/18
Power supply voltage:	~230 V; 0,2 A; 50 Hz
Operating temperature:	t= -10°C + 40°C
Material description:	sheet steel DC01, thickness: 0,7mm, protection anticorrosion, color: RAL 9003
Destination:	indoor
Tamper protection:	1x – opening casing
Closing:	screwed x 4
Notes:	optional: lockable, distance from wall (mounting surface) - 8mm
Declaration, warranty:	CE, 2 year from the production date