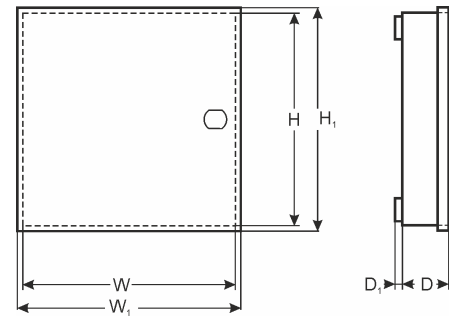


CODE: **AWO518** v1.0/I
 NAME: **Enclosure 17/TRP80/BOSCH BG-SERIES**



DESTINATION

The **AWO518** metal casings are designed as components (supplying) in intruders alarms, access control systems, security systems etc. There are intended for installation:

- control panel optional with supplementary modules
- access control controllers with optional modules

Panels which can be mounted in the casing

- B5512, B6512, B9512G

Modules:

- B208, B308, B901

TECHNICAL DATA

External dimensions of the enclosure:	W=348, H=469, D+D1=100+8 [±2 mm]
External dimensions of the front panel:	W1=353, H1=473 [±2 mm]
Weight net/gross:	4,40kg / 4,70kg [±0,1kg]
Space for battery:	17 Ah; 12 V
Transformer:	TRP 80 VA/16/18/20
Power supply voltage:	~230 V; 0,4 A; 50 Hz
Operating temperature:	t= -10°C + 40°C
Material description:	sheet steel DC01, thickness: 0,7mm, protection anticorrosion, color: RAL 9003
Destination:	indoor
Tamper protection:	1x – opening casing
Closing:	screwed x 4
Notes:	optional: lockable, distance from wall (mounting surface) - 8mm
Declaration, warranty:	CE, 2 year from the production date