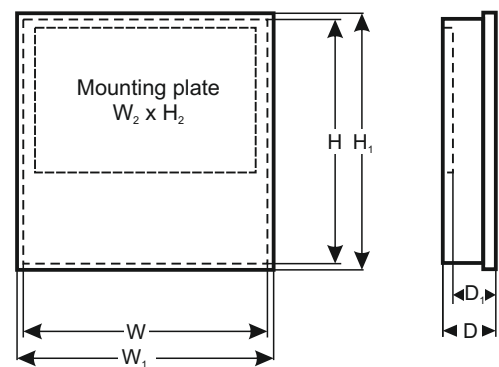


CODE: **AWO802Z** v.1.3/IX
NAME: **TOM-2Z Residential telecommunication enclosures**

EN**



Flush mounted type



APPLICATION

The residential telecommunication enclosures need to be installed in public buildings and collective residential buildings.

The residential telecommunication enclosures should provide the possibility of a simple (without the need to replace the entire cable infrastructure) connection of telecommunications companies to the telecommunication installation of the building on the principle of equal access.



PRODUCT DESCRIPTION

The residential telecommunication enclosures allow the integration of the elements of computer network, telephone network, television network (TV, SAT), fiber-optic network and other telecommunication installations. This can be done with easily removable adapter with a space for the "keystone"-type sockets (mounting of the RJ45 and „F” connectors), additional holes for the „F” connectors and the SC/APC fiber optic connectors (both single and double), 45x45mm hardware standard.

Additional elements, such as TV/SAT splitters, can be mounted on the upper part of on the back panel. Mounting of these elements is also very easy and quick, as the attached mounting plate allows the installation by means of screws, without having to drill holes.

MAIN FEATURES

1. Flush mounted type
2. Removable, adjustable flange
 - flange protection during renovation and construction work;
 - easy and aesthetic installation even in case of uneven mounting surface;
 - depth adjustment of the housing.
3. Removable door (convenient installation of wiring and other equipment)
4. Mounting plate (easy and quick installation of additional equipment)
5. The set includes adapter for mounting the RJ45 Keystone socket, F connectors and SC/APC fiber optic connectors, 45x45mm hardware standard.
6. A large number of holes for cable entry and mounting the box
7. Closed housing (two versions available: key lock or „click"-type closing)

TECHNICAL PARAMETERS

External dimensions of the enclosure:	W=295, H=345, D=90 [±2mm]
External dimensions of the flange:	W ₁ =330, H ₁ =400 [±2mm]
Mounting plate dimensions:	W ₂ =280, H ₂ =195 [±2mm]
Working depth:	D ₁ =80 [±2mm]
Possibility of mounting:	<ul style="list-style-type: none"> - keystone connectors eg. RJ45 or F or S.C./APC – 12 pcs. - dual „F” sockets (F-F connector) – 12 pcs. - simplex fiber optic adapter - SC – 2 pcs. - duplex fiber optic adapter - APC – 1 pcs. - 45x45mm hardware standard - 1 pcs.
Net/gross weight:	3,75kg / 4,25kg [±0,1kg]
Materials:	electrolytic galvanized sheet DC01, 3µm zinc coating corrosion protection: polyester paint, industrial use, color RAL9003 (white)
Destination:	indoor
Closing:	key lock
Warranty:	3 year from the production date