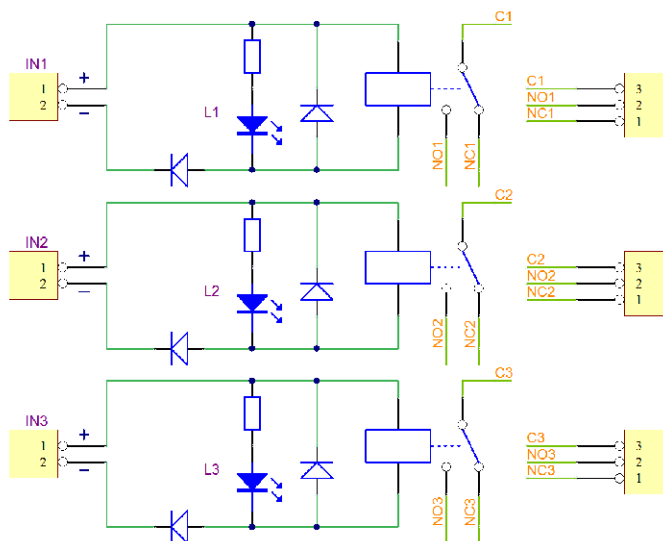
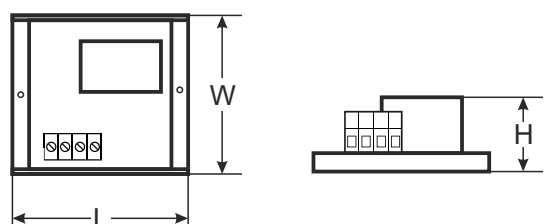
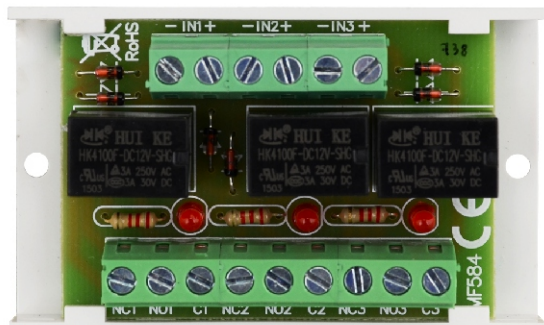


CODE: **AWZ 528** v.1.0/III
NAME: **PU3 relay module**

EN



DESCRIPTION

The PU3 (AWZ528) relay module is to be used in low-voltage installations. It is intended for controlling and status indication in e.g. alarm or access control systems. It may be used to control devices of high power consumption via OC outputs of alarm systems. Moreover, it ensures galvanic isolation of signals, power sources relating to the outputs of the module. The module is adapted for connection of cables with a maximum cross section of **1mm²**.

SPECIFICATIONS

Supply voltage coil	10 ÷ 14 V DC (-/+5%)
Coil control current	17 mA@12 V DC
Coil resistance	720 Ω (-/+10%)
Coil power	200 mW
Number of relays	3
Voltage of the relay's contacts	30 V DC / 48 V AC
Current of the relay's contacts (resistive load)	1 A max.
ON/OFF time	10ms/5ms (-/+5%)
LED indication	red LED L1÷L3 - state of relay activation
Operating temperature	-10°C ÷ +40°C
Dimensions	L=70, W=43, H=20 [mm, +/-2]
Installation	A mounting panel with an adhesive tape, mounting screws x 2 (holes 3mm)
Connectors	Φ0,41 ÷ 1,29 (AWG 26-16) 0,2 ÷ 1mm ²
Declarations, warranty	CE, 2 years from production date
Net/gross weight	0,04 / 0,06 [kg]