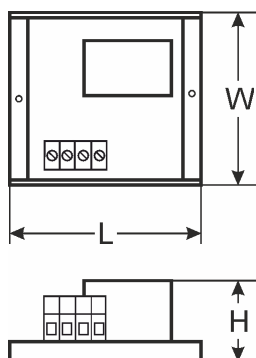
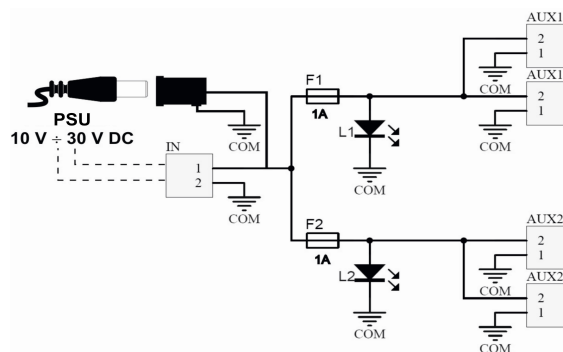


CODE: **AWZ586** v.1.1/IV  
NAME: **LB2/1A/FTA fuse module**

EN



### DESCRIPTION

The fuse module is intended for dividing power in low-voltage alarm systems (power distribution) that require voltage within the range of: **10 V ± 30 V DC**. It contains two power inputs: a screw connector and a DC 5,5/2,1 outlet and two power outputs AUX1+AUX2 which are independently secured with FTA 1A polyswitches. An activation of the FTA fuse is indicated by an appropriate LED going out: L1 for AUX1, L2 for AUX2. Additionally, each output is secured by a varistor which protects the PSU and the receivers against surges in the power circuit.

### SPECIFICATIONS

<b>Supply voltage</b>	10V ± 30V DC
<b>Output voltage</b>	$U_{AUX} = U_{IN}$ (equal to supply voltage)
<b>Current consumption</b>	5 mA+ 30 mA @ $U_{IN} = 10V \pm 30V$ DC
<b>Number of power inputs</b>	2: a DC 5,5/2,1 outlet or a screw connector
<b>Number of power outputs</b>	2x 2 (AUX terminals)
<b>Protections against:</b> - a short circuit SCP - an overload OLP - a surge	- 2 x 1A - 2 x 1A - varistors
<b>LED indication</b>	Green LEDs L1, L2 – AUX1+AUX2 outputs status
<b>F1, F2 fuses</b>	2 x 1A FTA
<b>Operating conditions</b>	II environmental class, -10°C +50°C
<b>Dimensions</b>	L=60, W=43, H=20 (+/-2mm)
<b>Fixing</b>	a mounting tape with an adhesive tape or dowel pins x2 (holes ∅3mm)
<b>Connectors:</b> - of power output - of power input	- screw connectors ∅0,41+1,63 (AWG 26-14) - a DC 5,5/2,1 outlet or a screw connector ∅0,41+1,63 (AWG 26-14)
<b>Net/gross weight</b>	0,03kg / 0,05kg
<b>Declarations, warranty</b>	CE, 2 year from the production date