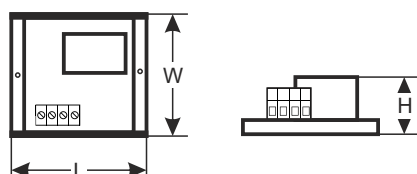
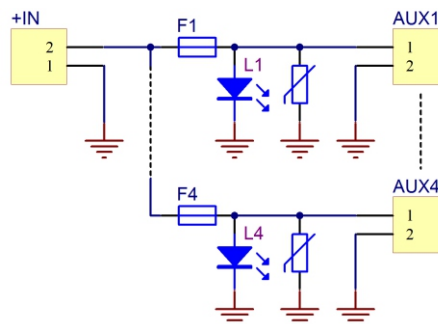
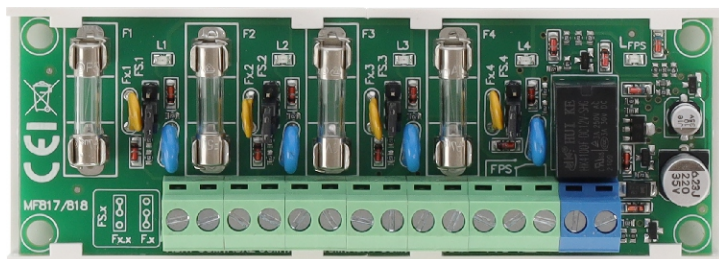


CODE: **AWZ588** v.1.2/VII
NAME: **LB4/4x0,5A/2,5/AW/R fuse module**

EN**

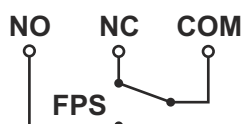


DESCRIPTION

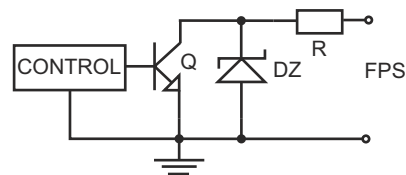
The **LB4/4x0.5A/2.5/AW/R** fuse module is designed for power distribution in low-voltage systems requiring voltage of **10V±30 V DC** or **10V±24 V AC** (e.g. buffer power supply, transformer etc.). It is fitted with the IN input for power supply and 4 independently protected AUX1÷AUX4 power supply outputs. Each AUX output is equipped with short circuit protection (SCP): melting fuse F 0.5A or PTC 0.5A polymer fuse (the possibility of using 1A fuses, not supplied) as well as with overvoltage protection - varistors. Output state is indicated by 4 L1 + L4 LEDs. Fuse failure is indicated by turning off the appropriate LED: L1 for AUX1, L2 for AUX2 etc. Additionally, in the case of failure, the FPS output (Hi-Z state) and the L_{FPS} LED are switched on. The FPS output can be used for remote control of a module e.g. external optical indication. The module is adapted for connection of cables with a maximum cross section of **2,5mm²**.

TECHNICAL DATA

Supply voltage	10 – 30 V DC (-2%/+2%) 10 – 24 V AC (-2%/+2%)
Output voltage	$U_{AUX} = U_{IN}$ (equal to supply voltage)
Current consumption	15 – 42 mA @ $U_{in}=10 - 30$ V DC 37 – 42 mA @ $U_{in}=10 - 24$ V AC
Voltage of the relay's contacts	30 V DC / 48 V AC max.
Current of the relay's contacts	1 A max.
Number of power inputs	1 (IN terminals) – max. 2,5mm² cable
Number of power outputs	4 (AUX terminals) – max. 2,5mm² cable
Protections against:	
- a short circuit SCP	- 4 x F 0,5A or PTC 0,5A (the possibility of using 1A fuses, not supplied)
- an overload OLP	- varistors
- a surge	
LED indication	- green LED L1 + L4 – status of AUX1+AUX4 outputs - red LED L _{FPS} – indicates failure
F1 ÷ F4 fuses	F 0,5A or PTC 0,5A
Operating conditions	-10°C + +50°C
Dimensions	L=125, W=43, H=32 (+/-2mm)
Installation	a mounting panel with an adhesive tape, mounting screws x 2 (holes Ø3mm)
Connectors:	
- power supply input/output, technical output	Φ0,51±2,05 (AWG 24-12), 0,5 + 2,5mm ²
Net/gross weight	0,07 / 0,10 [kg]
Declarations, warranty	CE, 2 years from production date



Electrical diagram of the relay output.



Electrical diagram of the OC output.