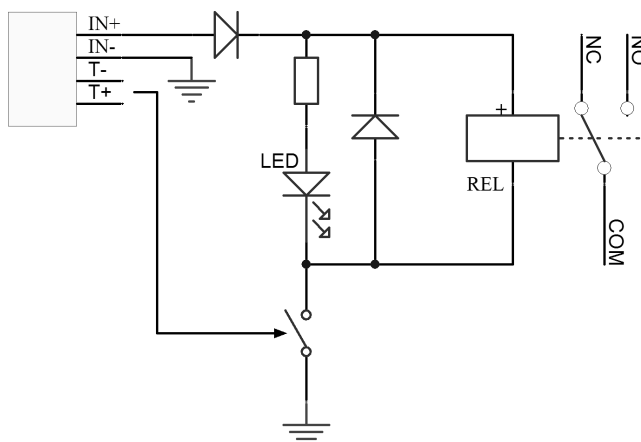
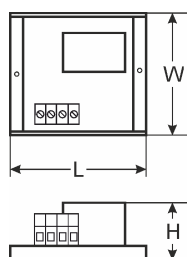


CODE: **AWZ611** v1.0/II
NAME: **MP4 Relay module**

EN



DESCRIPTION

The MP4 (AWZ611) relay module is to be used in low-voltage installations. It is intended for controlling and status indication in e.g. alarm or access control systems. It may be used to control devices of high power consumption via OC outputs of alarm systems. Moreover, it ensures galvanic isolation of signals, power sources relating to the outputs of the module. It is equipped T- inputs used to trip relays low condition.

SPECIFICATIONS

Voltage of the relay's coil	12V (10VDC±14VDC)
Power consumption	180 mA max.
Number of relays	4
Voltage of the relay's contacts	30VDC / 50VAC max.
Tripping voltage T	T- 0V ÷ (Unom. - 5V)
Current of the relay's contacts	2A max.
Operating conditions	II environmental class, -10°C ÷ 50°C
Dimensions	L=120, W=43, H=22 [mm, +/-2]
Net/gross weight	0,08 / 0,11 [kg]
Installation:	installation tape or installation bolt x 2
Declarations, warranty	CE, 2 year from the production date
Notes	leads on connections: Ø 0,41±1,63 (AWG 26-14), 0,2±1mm ²