

DC/DC converter

DC/DC converter 12 V DC, IP67



CODE: **DCDCH-12V1A-SD**
TYPE: **12V/1A/55MM DC/DC step down converter**

EN/II

Features:

- Power output 1 A/12 V DC
- DC power supply range 18 – 30 V DC
- high efficiency 93 %
- IP 67 enclosure
- protections:
 - against short circuit protection
 - overload protection OLP
 - against reverse input voltage polarity
- warranty – 2 year from the production date



DESCRIPTION

The DCDC converter is used for powering devices that require stabilized voltage of **12 V DC**. The maximum current load is **1 A (Pmax= 12 W)**. This module does not have galvanic insulation between the input and output (IN-AUX), and operates on a common ground potential. The unit is protected against short circuit, overload and against reverse input voltage polarity.

SPECIFICATIONS.

Supply voltage	18 – 30 V DC
Supply power	12 W max.
Efficiency	93 %
Output voltage	12 V DC
Current consumption by converter systems	10 mA max.
Output current	1 A
Ripple voltage	100 mV p-p max.
Protection against short circuits (SCP) and overloads (OLP)	110 – 150 % of module power – output power limit, automatic return after elimination of short circuit
IP protection class	IP67
Operating conditions	temperature -10 °C – 40 °C relative humidity 20%...90% (without condensation)
Dimensions (LxWxH)	50 x 48 x 25 [mm]
Net/gross weight	0,11 kg / 0,12 kg
Length of DC input cable	0,3 m
Length of DC output cable	0,5 m + plug DC5,5/2,1 female
Storage temperature	-20 °C...+60 °C
Declarations, warranty	CE, 2 year from the production date

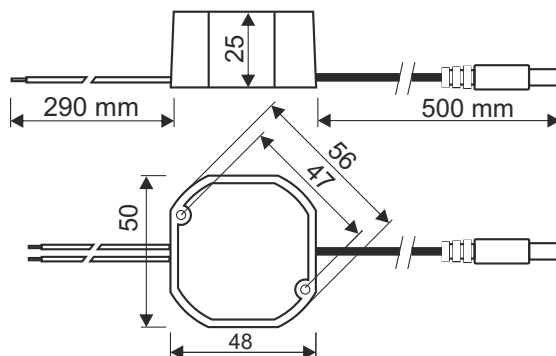
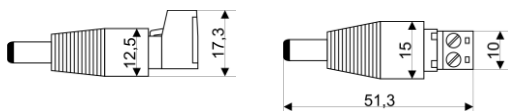


Fig.1.
Mechanical view and dimensions of the converter.

ACCESSORIES

ACCESSORIES :
[1] adapter CABLE - PLUG DC 5,5/2,1 - code ML109



For the converters are available accessories - cable adapter.
For details –visit www.pulsar.pl.

