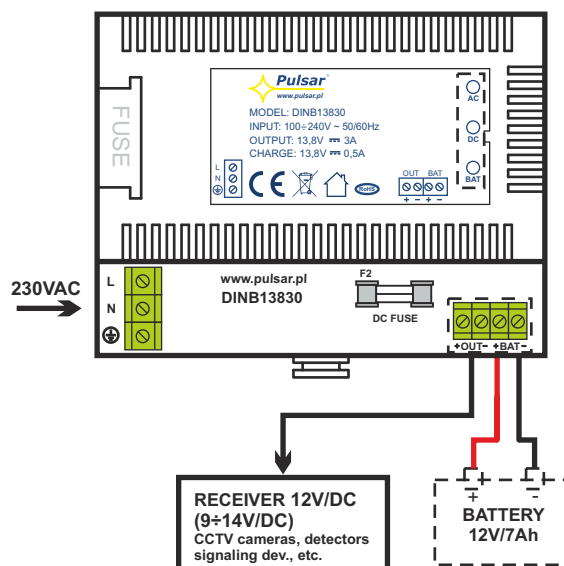
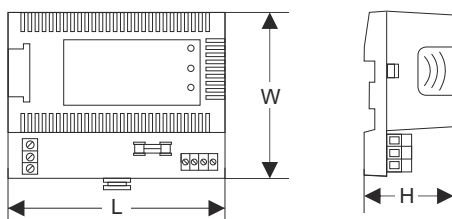
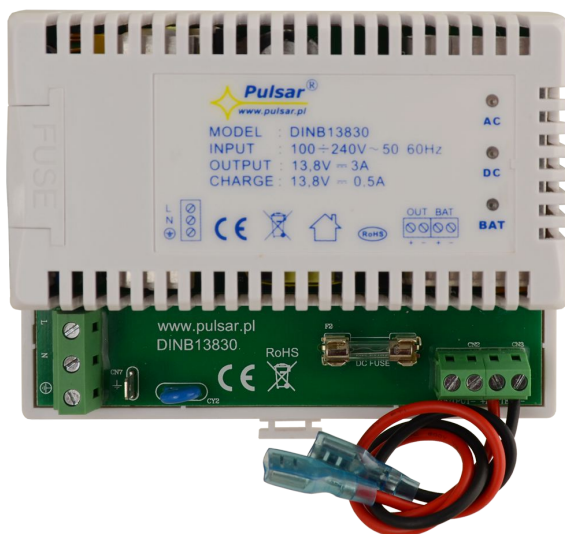


CODE: **DINB13830** v.1.0/V
 TYPE: **DINB 13,8V/3A DIN rail buffer power supply.**

EN**



PSU features:

- DC 13,8V/3A uninterrupted supply + 0,5A battery charging current
- universal supply voltage range AC 90÷264V
- high efficiency 85%
- battery charging and maintenance control
- deep discharge battery protection (UVP)
- battery output protection against short circuit and reverse polarity connection
- DIN rail mounting
- LED optical indication
- protection type:
 - short-circuit protection SCP
 - surge protection
 - overload protection OLP
- warranty – 2 years from the production date

DESCRIPTION

The buffer power supply is designed for uninterrupted supply of devices requiring stabilized voltage of **12V DC (+/-15%)**. The PSU supplies voltage of **13,8V DC** with current efficiency of **I = 3A + 0,5A battery charging**. In the case of mains power failure, the unit will instantly switch to battery power. The PSU is fitted with short circuit protection and overload protection. The power supply unit is in plastic enclosure designed for DIN TH35 rail mounting (35mm width).

During normal operation, the total current drawn by the device cannot exceed I=3A. The maximum battery charging current is 0,5A. The total current of the receivers + battery is max. 3,5A.

Power supply series DINB

Buffer power supply 13,8V DC on a DIN rail



SPECIFICATIONS:	
Supply voltage	90±264V AC
Current consumption	0,5A@230VAC max.
PSU power	48W max.
Efficiency	85%
Output voltage	11V± 13,8V DC – buffer operation 9V± 13,8V DC – battery operation
Output current	3A + 0,5A battery charging
Ripple voltage	100mV p-p max.
Battery charging current	0,5A max.
Short-circuit protection SCP	F2 – melting fuse (failure requires fuse replacement)
Overload protection OLP	150-200% of PSU power supply, automatic recovery
Surge protection	varistors
Deep discharge battery protection UVP	U<9V (+/- 0,5V) – disconnection of the battery terminal
LED indication:	Yes - LEDs
F1 fuse	T 3,15A / 250V
F2 fuse	F 3A / 250V
Operating temperature	2nd environmental class, temperature: -10°C ÷40°C, relative humidity: 20%...90%, without condensation
Dimensions	L=122, W=93, H=50 [+/- 2mm]
Mounting	TH35 DIN rail
Net/gross weight	0,36 kg/ 0,44 kg
Enclosure	ABS, RAL9003, light grey
Connectors	Φ0,51-2,05 (AWG 24-12)
Declarations, warranty	CE, 2 year from the production date