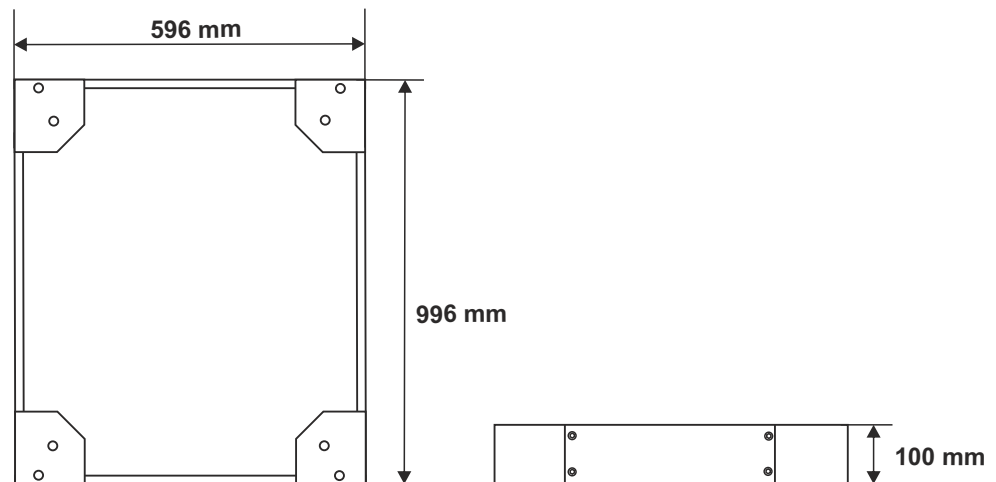


CODE: **RAC1610** v1.0/II

EN

NAME: **Plinth 100mm for floor standing cabinets 600x1000mm**



DESTINATION

The 100mm plinth is intended for 600x1000mm floor standing cabinets. It enables stabilising the cabinet and fixing it to the floor.

TECHNICAL DATA

Dimensions:	W=596, H=100, D=596 [mm, +/-2]
Net/gross weight:	6,6 / 7,0 [kg]
Material:	1,2mm and 2mm cold-rolled steel (SPCC), RAL 9004
Destination:	inside
Warranty:	1 year from production date
Notes:	- mounted to the bottom of a RACK cabinet - 4 M12 screws (hex socket head) + washers included