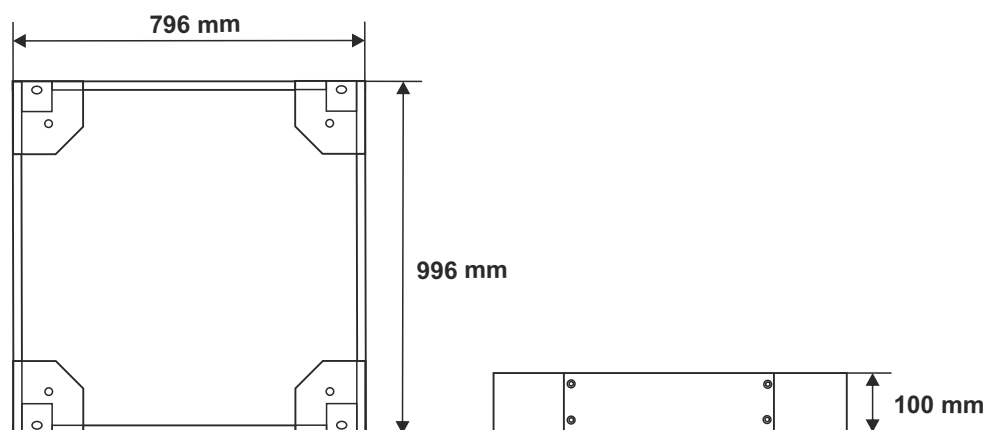


CODE: **RAC1810M** v1.0/II  
NAME: **Plinth 100mm for floor standing cabinets 800x1000mm**

EN



#### DESTINATION

The 100mm plinth is intended for 800x1000mm floor standing cabinets. It enables stabilising the cabinet and fixing it to the floor.

#### TECHNICAL DATA

|                          |   |
|--------------------------|---|
| <b>Dimensions:</b>       | W=796, H=100, D=996 [mm, +/-2]  |
| <b>Net/gross weight:</b> | 6,25 / 6,6 [kg]   |
| <b>Material:</b>         | 1,2mm and 2mm cold-rolled steel (SPCC), RAL 9004                              |
| <b>Destination:</b>      | inside  |
| <b>Warranty:</b>         | 1 year from production date   |
| <b>Notes:</b>            | - mounted to the bottom of a RACK cabinet<br>- 4 M12 screws (hex socket head) |