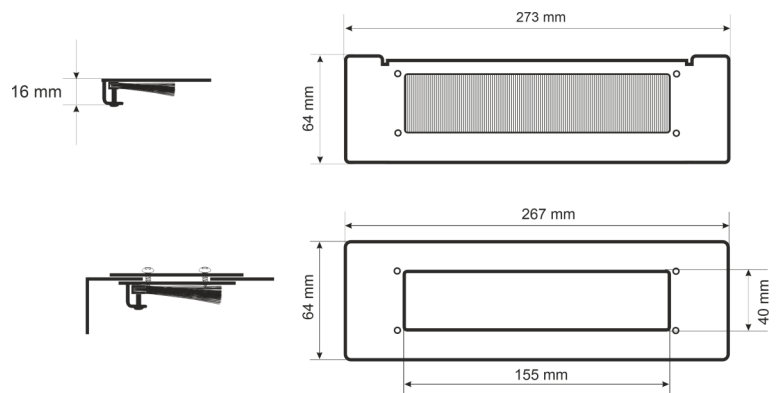


Code: **RAPS-G v.1.0 / 1**
 Name: **Brusch grommet for RWA-G/RW-G/RWDA-G series RACK 19" cabinets**

EN



DESTINATION

Brush grommet for RACK cabinets RWA-G/RW-G/RWDA-G type enables entering cables aesthetically and protects cabinet against intrusion of any objects.

TECHNICAL DATA

Dimensions:	267 x 64 x 16 [mm, +/-2]
Material:	steel DC01, 1.2mm, RAL7035 (grey), metallic
Destination:	indoor
Weight:	0.29 / 0.32 [kg]
Notes:	four-point fixing in top panel of RACK cabinet 4 screws included
Warranty:	2 years

