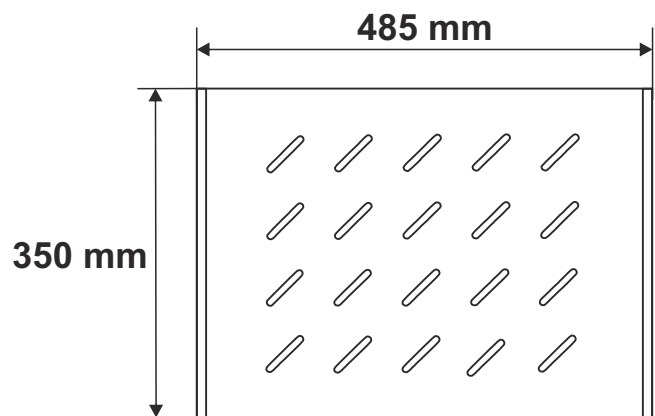
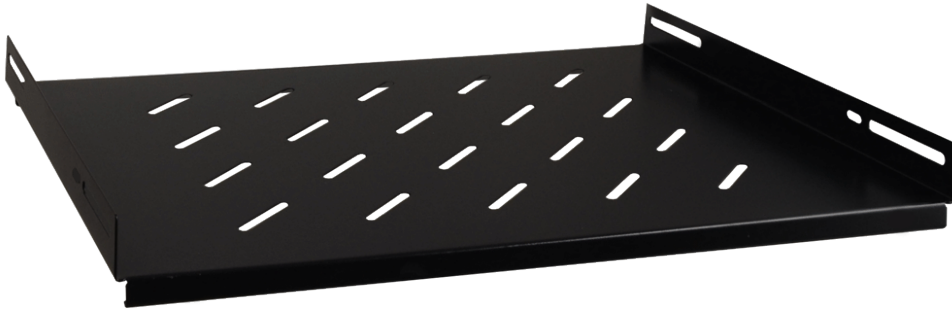


CODE: **RAPS600S** v1.1/III

EN

NAME: **Fixed shelf 485x350 for RACK cabinet, type RW/RWA/RS/ZRS**



INTENDED USE

The fixed shelf is intended for a 600mm deep RACK cabinet, type: RW/RWA/RS/ZRS. Due to the shelf, the RACK cabinet can accommodate devices that are not housed in a RACK 19" enclosure.

SPECIFICATIONS

Dimensions of the shelf: W=485, H=48, D=350 [mm, +/-2]

Net/gross weight: 1,8 / 1,9 [kg]

Materials: 1,2 mm steel sheet, RAL 9004

Static load: 60 kg

Use: inside

Notes:
 - four-point fixing to the side RACK rails
 - mounting set includes: 4 M6 screws, cage nuts, plastic washers