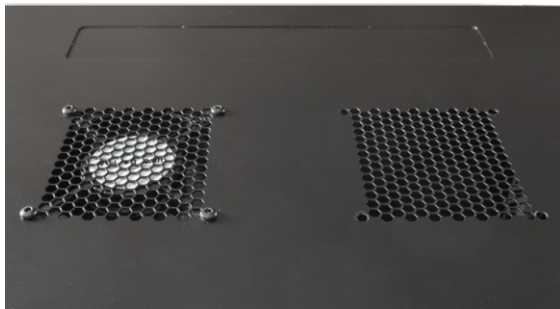
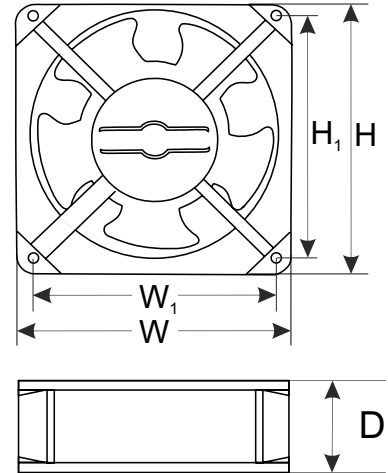


CODE: **RAW1** v1.1/VII

EN

NAME: **Fan 1/230 for wall mounted cabinets type: RWA, RW, RWD**



DESTINATION

The fan is intended for mounting inside the top panel of a suspended RACK cabinet. It induces airflow inside the cabinet.

TECHNICAL DATA

Mounting dimensions:	W ₁ =105, H ₁ =105 [mm, +/-2]
Dimensions:	W=120, H=120, D=38 [mm, +/-2], L _z =1,6m
Rated voltage:	220+240VAC / 50/60Hz
Rated current:	0,06A / 0,07A
Net/gross weight:	0,59 / 0,67 [kg]
Materials:	- aluminium alloy, RAL 9004 - 1 fan 230VAC, air flowing 50+110CBM/H (1850 rev/min, 37dB)
Destination:	inside
Declarations, warranty:	CE, 1 year from production date
Notes:	- mounted from the inside, to the top panel of the RACK cabinet - 4 screws included - fixed network cable 230VAC, L _z =1,6m