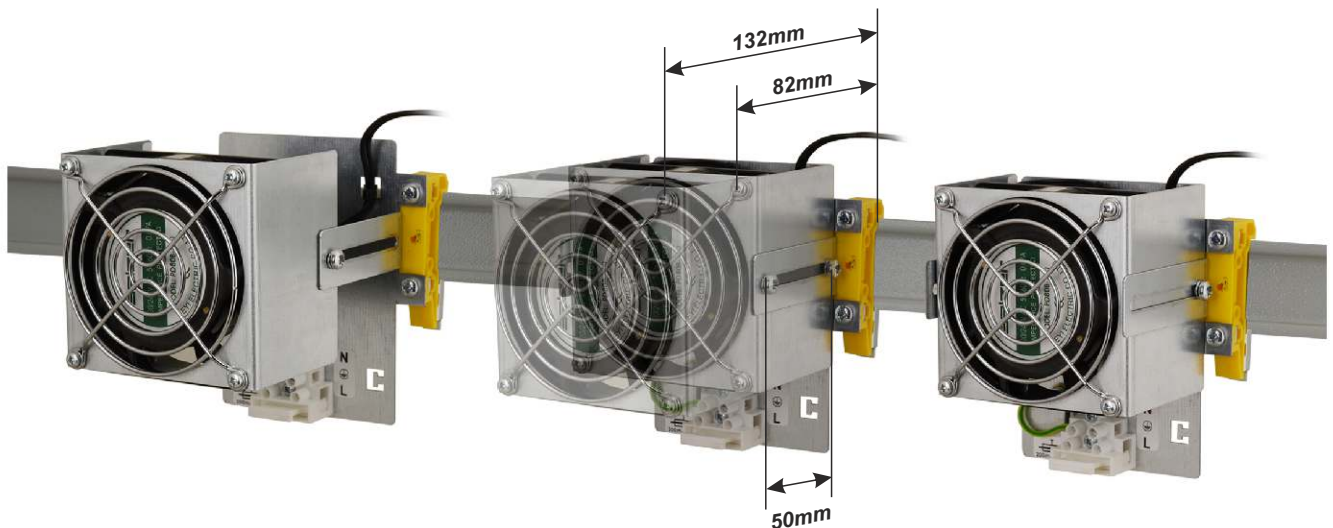


CODE: RAWDIN v.1.0/I
 NAME: DIN rail fan with 45°C temperature sensor

EN



INTENDED USE

The fan is designed for mounting on DIN rail in the AWO612PW, AWO613PW, AWO614PW, AWO622PW, AWO623PW and AWO624PW enclosures. It is fitted with a built-in temperature sensor which activates the fan once the temperature exceeds 45°C. The fan design allows you to adjust the position of the fan, see Figure 1 (this allows for installation in enclosures with different depths).

TECHNICAL PARAMETERS

Power supply	220 ÷ 240VAC ,50Hz
Current consumption	0,08A
Power consumption	16W max.
Revolutions per minute (PRM)	2300 obr/min
Air flow	21CMF 0,59 m ³ /min
Short-circuit protection	T 200mA
Fan temperature switch	45 °C
Finish:	- Fan: aluminum alloy, ball bearing, fan shroud - fan mounting: DIN-PKAZ107 rail
Application	Indoor
Notes	- fan mounted directly on the DIN rail
External dimensions	110 x 115 x min 85, max 135 [mm] (WxHxD)
Net/gross weight	0,50kg / 0,54kg
Declarations, warranties	CE, 2 years from the production date