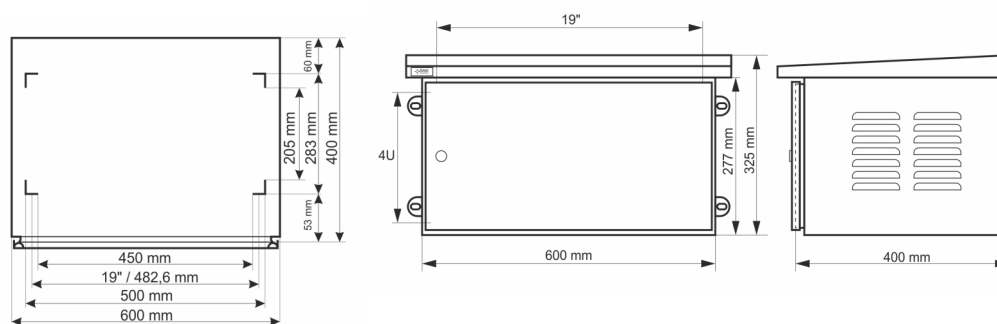


Code: **RK464-G v.1.0 / I**
Name: **4U / 19" RACK cabinet, wall mounted, vandal-resistant, grey, 600x400**

EN



DESTINATION

RACK 19" cabinet enables integrating CCTV, AC, I&HAS, RTV, LAN, or other systems in small companies or households. It is intended for devices manufactured in enclosures of 19" standard. Due to RACK cabinets, devices are aesthetically mounted and protected against mechanical damage.

TECHNICAL DATA

Mounting dimensions:	19" x 4U
Dimensions:	600 x 277 x 400 [mm, +/-2] Additional protective inclined top panel with height of 48 mm
Material:	cold-rolled steel SPCC, 2mm, 1.2mm, RAL7035 (grey), metallic RACK mounting rails - 2mm enclosure - 1.2mm mounting brackets - 2mm
Static load:	80 [kg]
Closing:	locked (2 keys included)
Destination:	indoor
Protection grade EN60529:	IP 20
Weight:	15.3 / 16.9 [kg]
Type Cabinets:	wall mounted fully assembled - vandal-resistant
Notes:	adjustable distance between front and rear RACK rails ventilation holes in the top panel (2 x 105x105mm - mounting dimensions) cable glands in the bottom panel - 4 x ø35mm
Warranty:	2 years
Declaration:	CE

