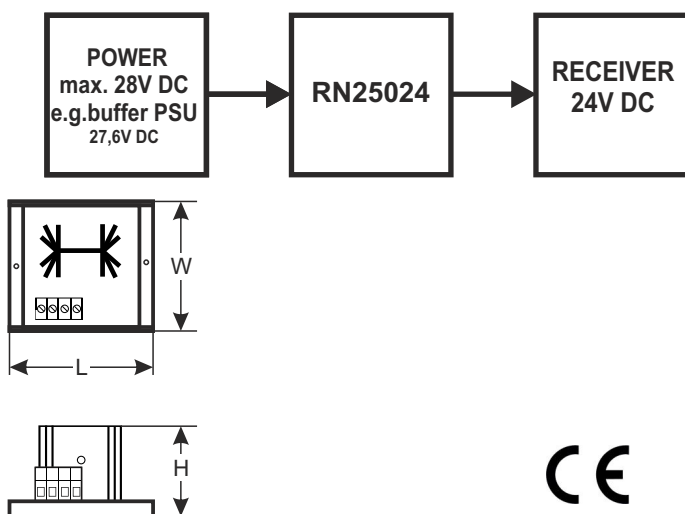
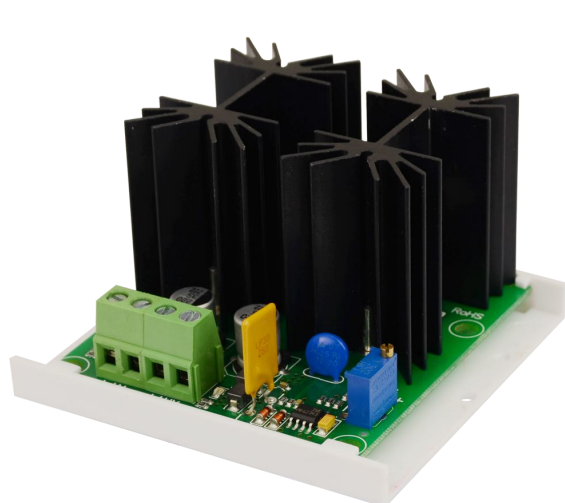


CODE: **RN 25024** v.1.0/V
NAME: **RN 24V/2,5A DC voltage reducer**

EN



Features:

- supply voltage of 28V DC max.
- power output 24V DC/2,5A
- output voltage adjustment range 22V±Uin
- linear voltage regulation
- lossless conductivity below stabilisation threshold
- LED indication
- protections:
 - SCP short circuit protection
 - OLP overload protection
- warranty – 2 years from the production date

DESCRIPTION

The **RN 24V/2,5A (RN25024)** is intended for lowering and stabilising DC voltage within the range of 24÷28V into the value of 24V (adjustment 22V±Uin DC). In the case when the output voltage drops below the preset output value, the transistor opens and the reducer conducts without any loss (voltage drop $\Delta U < 1\%$). That enables full use of energy accumulated in the PSU's battery during batter-assisted operation.

The **RN25024** voltage reducer along with a typical buffer PSU is intended for supplying devices that require voltage of 20V÷24V DC.

SPECIFICATIONS

Supply voltage	max. 28V/DC (-/+5%)
Output voltage	< 24V DC nom. (+/- 0,3V)
Output voltage adjustment range	22V±Uin (preset 24V DC)
Power of the receiver	60W max.
Output current	2,5A max.
Current drawn by the module's systems	9 mA max.
Protection against a short circuit (SCP) and an overload (OLP)	110% ÷ 150% of reducer's power – current limiting by the PTC resettable fuse, manual restart
LED indication - IN diode indicating DC power status - AUX diode indicating DC power status at the module's output	- red - green
Operating conditions	II environmental class, -10°C ÷ +40°C
Dimensions	L=76, W=70, H=45 [+/- 2mm]
Fixing	A mounting panel with an adhesive tape, dowel pins x 4 (PCB fi=4,2mm)
Connectors	screw connectors $\Phi 0,41 \div 1,63$ (AWG 26-14)
Net/gross weight	0,10kg/0,14kg
Declarations, warranty	CE, 2 years from the production date