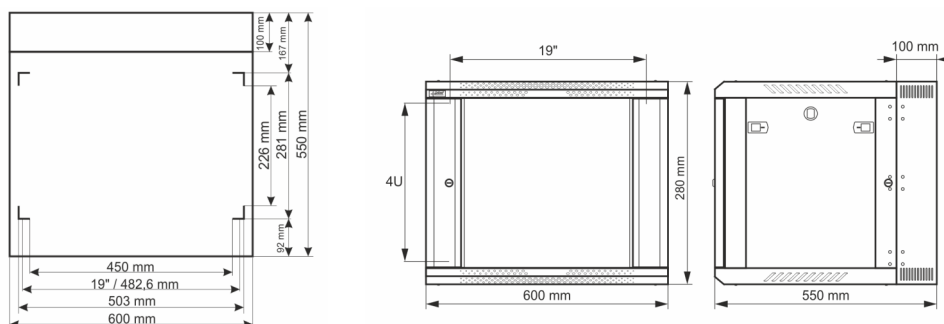


Code: **RWDA465-G v.1.0 / 1**  
 Name: **4U / 19" RACK cabinet, double section, wall mounted, ready to assemble, grey, 600x550**

EN



## DESTINATION

RACK 19" cabinet enables integrating CCTV, AC, I&HAS, RTV, LAN, or other systems in small companies or households. It is intended for devices manufactured in enclosures of 19" standard. Due to RACK cabinets, devices are aesthetically mounted and protected against mechanical damage.

## TECHNICAL DATA

<b>Mounting dimensions:</b>	19" x 4U
<b>Dimensions:</b>	600 x 280 x 550 [mm, +/-2] front/rear section - 450/100mm
<b>Material:</b>	cold-rolled steel SPCC, 0.8mm, 1mm, 1.2mm, 1.5mm, RAL7035 (grey), metallic RACK mounting rails - 1.5mm wall mounting panel - 1.2mm frame - 1,0mm top and bottom panel - 1,2mm side panels - 0,8mm front door - 1,0mm / 4mm toughened glass
<b>Static load:</b>	60 [kg]
<b>Closing:</b>	front door - lock (RAZ-G2, same code) rear door - lock (RAZ-DG, same code) side panel - Click (lock assembly possible - RAZB16)
<b>Destination:</b>	indoor
<b>Protection grade EN60529:</b>	IP 20
<b>Type Cabinets:</b>	wall mounted ready-to-assemble - two-section
<b>Notes:</b>	adjustable distance between front and rear RACK rails ventilation holes in the top panel (2 x 105x105mm - mounting dimensions) cable ducts in the top and bottom panel changeable door - right or left possibility to configure left-right tilting of the cabinet
<b>Warranty:</b>	2 years
<b>Declaration:</b>	CE

