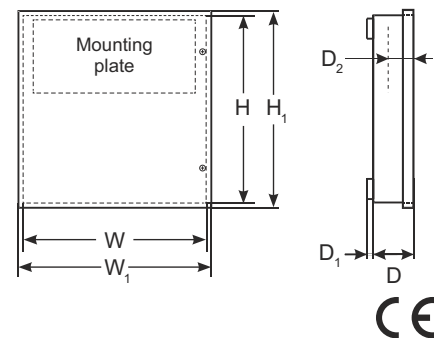


CODE: **SWR-300** v.1.0/I
 NAME: **Buffer power supply system for PoE switches
 and recorder 12VDC/54VDC/4x17Ah/300W**

EN



Features:

- Supply voltage ~200 - 240 V
- High efficiency (87%)
- 54 V supply for PoE switches
- 12 V supply for recorder
- Battery charging and maintenance control
- Deep discharge battery protection
- Battery charging current: 0,5 A/1 A/2 A, jumper selectable
- Metal enclosure – colour white RAL9003
- Removable universal mounting plate
- Optical indication
- Protections:
 - SCP short circuit protection
 - OLP overload protection
 - OVP overvoltage protection
 - surge protection
 - antisabotage protection: unwanted enclosure opening
 - OHP overheat protection
 - battery protection against reverse connection
- Forced cooling - built-in fan
- Warranty – 2 years from production date

General description

Buffer power supply system for PoE switches and recorder, SWR-300 is designed for uninterrupted power supply of PoE switches with 52 V DC and recorder supplied with 12 V DC. It is designed on basis of switch mode power supply module and high-energy-efficiency DC/DC converter placed in metal enclosure (colour RAL 9003). In enclosure is space for four 17Ah/12 V (SLA) batteries and is equipped with microswitch signalling door opening. Device is equipped with removable universal mounting plates, which allows to mount PoE switches with dimensions up to 245x150x50 (WxHxD) [mm]. For example Pulsar's models: **S64, SG64, SFG64, SFG64F1, S108, SG108, SF108**, and recorder with dimensions up to 380x380x48 (WxHxD) [mm].

Device can operate in one of two configurations:

1. Output power * 300 W
2. Output power * 270 W + 0,5 A battery charging process
3. Output power * 240 W + 1 A battery charging process
4. Output power * 210 W + 2 A battery charging process

* Total power of PoE devices and DVR, maximum power of DVR is 60 W.

TECHNICAL DATA

Power supply	~ 200 – 240 V; 1,5 A; 50/60 Hz	
Inrush current	60 A	
Efficiency	87%	
PoE supply	54 V DC; 300 W	
Recorder power supply	12 V DC; 5 A; 60 W	
Ripple voltage	150 mV p-p max.	
Battery charging voltage	44-54 V DC	
Battery charging current	0,5 A / 1 A / 2 A jumper selectable	
Short circuit protection (SCP)	electronic, automatic recovery	
Overload protection (OLP)	105 – 150% of power supply, automatic recovery	
Surge protection	varistors	
Current consumption by PSU during battery-assisted operation	about 30 mA	
LED optical indication output	LED AC - presence of AC voltage LED DC - presence of DC voltage in the output of the PSU LED CHARGE - battery charging process	
Connectors	Power input: Φ 0,63-2,50 (AWG 22-10) PoE power supply output: DC plug 2.1/5.5 Recorder power supply output: DC plug 2,1/5,5 BAT output: battery wires Φ 6 (M6-1,5) 45cm	
Operating conditions	Temperature: -10°C ÷ +40°C, relative humidity 20%...90%, without condensation	
Protection class EN 62368-1	I (first)	
Degree of Protection EN 60529	IP20	
Operating temperature	-10°C...+40°C	
Storage temperature	-20°C...+60°C	
Vibrations and impulse waves during transport	According to PN-83/T-42106	
Dimensions	W=460, H=390, D+D1=173+8 [+/- 2mm] W1=465, H1=395 [+/- 2mm]	
Enclosure	Steel sheet, DC01 1,0mm color RAL 9003	
Installation space (WxHxD):	Batteries 4x7 Ah	Batteries 4x17 Ah
- switch	245x150x50	245x150x50
- recorder	380x380x48	380x280x48
Closing	Cheese head screw x 2 (at the front, lock assembly possible)	
Notes	Enclosure does not adjoin assembly surface so that cables can be led	
Additional equipment	Mounting screws (x4)	
Net/gross weight	7,8 / 8,6 [kg]	
Declarations, warranty	CE, 2 years from production date	

Sample assembly:

