



■ Features :

- 12V or 24V DC input
- Power ON-OFF switch
- Input voltage range: -15% ~ +25%
- Output voltage regulation: ±10%
- Protections: Bat. Low alarm/Bat. Low shutdown/Over voltage/Over temp./Output short/Input polarity reverse/Over load.
- Output waveform: Modified sine wave
- Cooling fan ON-OFF control
- Topology: Microprocessor
- Approvals: E13 / EAC / CE
- 1 year warranty



**SPECIFICATION**

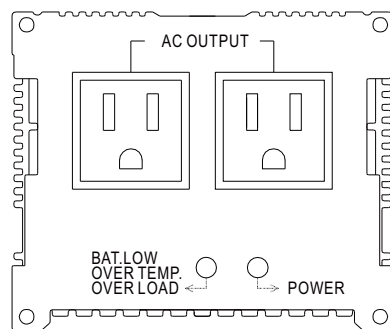
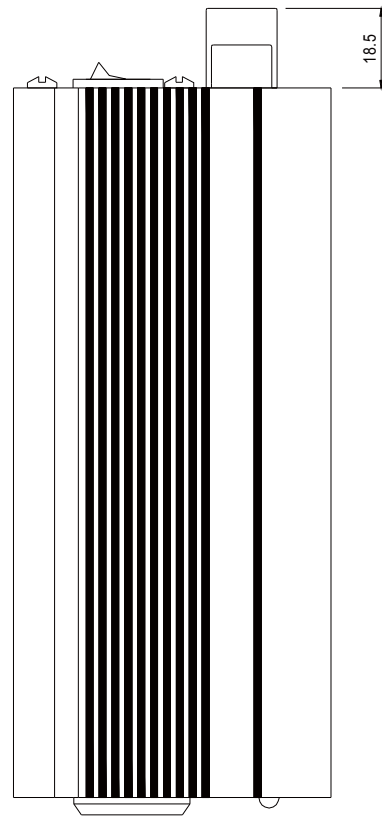
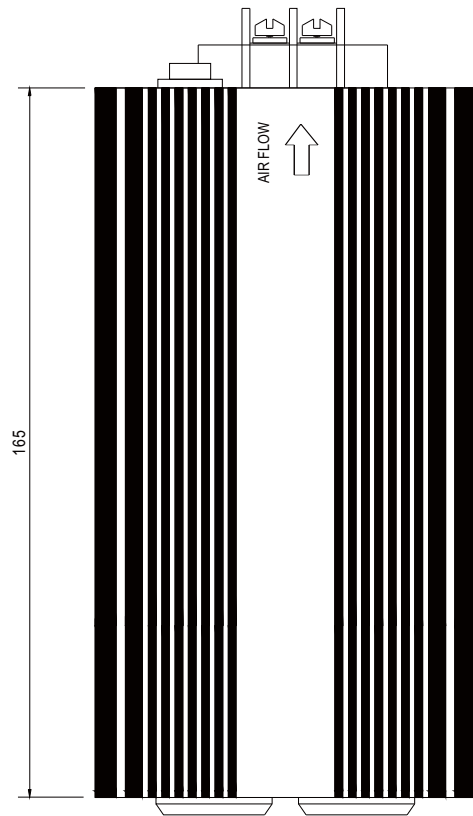
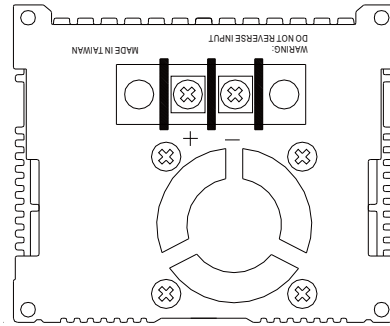
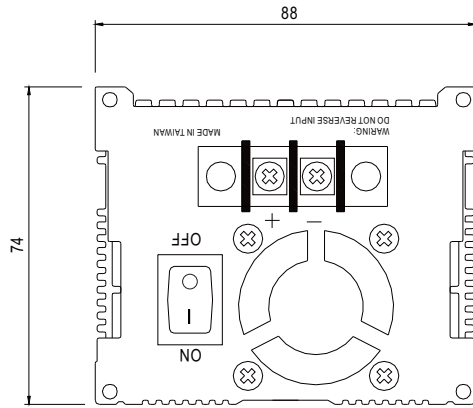
ORDER NO.	A301-300-B2	A301-300-F3	A302-300-B2	A302-300-F3	
OUTPUT	SAFETY MODEL NO.		A301-300		
	AC VOLTAGE		110V	230V	
	RATED POWER		300W		
	SURGE POWER		600W		
	WAVEFORM		Modified Sine Wave		
	FREQUENCY		60Hz±1%	50Hz±1%	60Hz±1%
	AC REGULATION		±10%		
	STANDARD RECEPTACLES		TYPE-2* 2ea	TYPE-3* 1ea	TYPE-2* 2ea
LED INDICATOR		Green LED for power on; Red LED for power failure status			
INPUT	DC CURRENT		35A	15A	
	NO LOAD CURRENT DRAW		0.36A	0.2A	
	DC VOLTAGE		12V	24V	
	VOLTAGE RANGE		10 ~ 15VDC	21 ~ 30VDC	
	EFFICIENCY (Typ.)		82%	85%	
	DC CONNECTOR		Cigarette plug*1ea, Battery clip*1ea		
	FUSE		Battery cord 35 A * 1, Cigarette plug 15 A * 1		
PROTECTION	BAT. LOW ALARM		10±0.5V	20±0.8V	
	BAT. LOW SHUTDOWN		9.5±0.5V	19.5±0.8V	
	OVER VOLTAGE		15 ~ 17V	30 ~ 32V	
	OVER TEMPERATURE		45±5°C / 113±9°F		
	OUTPUT SHORT		Shut-off		
	BAT. POLARITY		By fuse open		
ENVIRONMENT	WORKING TEMP.		0 ~ 30°C @ 100% load, 40°C @ 50% load		
	WORKING HUMIDITY		20% ~ 90% RH non-condensing		
	STORAGE TEMP., HUMIDITY		-30 ~ +70°C / -22 ~ +158°F, 10 ~ 95% RH		
	TEMP. COEFFICIENT		±0.05% / °C (0 ~ 50°C)		
SAFETY & EMC	SAFETY STANDARDS		EAC TP TC 004 approved		
	ISOLATION RESISTANCE		I/P-O/P:100M Ohms / 500VDC / 25°C / 70% RH		
	EMI RADIATION		Compliance to EN55014-1, EAC TP TC 020		
	EMS IMMUNITY		Compliance to EN55014-2, IEC61000-4-2,3, EAC TP TC 020		
	LVD		Compliance to EN60950-1		
OTHERS	MTBF		200Khrs min. MIL-HDBK-217F (25°C)		
	DIMENSION		165*88*74mm (L*W*H)		
	PACKING		1.1kg ; 16pcs / 19kg / CARTON		
	COOLING		>100W or >40°C (NTC) fan on		
	APPLICATIONS		Home appliance, Power tools, Office and Portable equipment and Vehicle ...etc.		

■ AC Output Receptacles (optional)

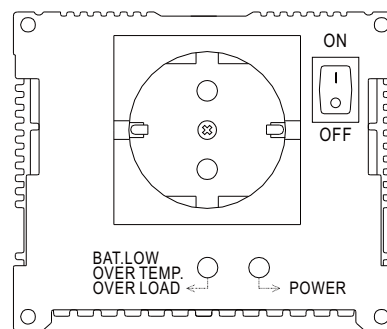
TYPE-1	TYPE-2	TYPE-3	TYPE-4	TYPE-5	TYPE-6
JAPAN	USA	EUROPE	UNIVERSAL	AUSTRALIA	U.K

**Mechanical Specification**

Unit:mm



USA



EUROPE